

Emerson™ Solenoid Multi-Purpose Tool



PCN #066019

Time-saving convenience, money-saving innovation

At Emerson we know that time is money – especially when it is your time and your money. That’s why we’re always on the lookout for ways to make your job more efficient and economical. It’s why we’re offering you a unique new tool that combines an array of service functions into a single precision unit: the Solenoid Multi-Purpose Tool.

Designed specifically for Emerson™ solenoid valves, this new tool is unlike anything available on the market today. It’s an innovative solution that will save you time – and money – by helping you finish each job more quickly, so that you can move on to the next one.

Multi-function means multi-benefits.

The Solenoid Multi-Purpose Tool performs three distinct functions:

- It’s a magnetic tool that operates the valve without having to energize the coil.
- It’s a spanner wrench that enables easier valve disassembly, while protecting the enclosing tube.
- It’s an adjustment tool that quickly opens a valve with a manual stem.

What does that mean to you and your customers? It means that you can service the system more quickly and minimize callbacks due to manual stems that are left in the wrong position. That means faster, more efficient workflow for your technicians – and happy customers for you.

The Solenoid Multi-Purpose Tool also offers these benefits:

- Convenience – Because it’s a magnetic tool, it holds key components together as the valve is disassembled. Plus, the manual stem adjustment makes it easy to open valves.
- Longer life – The spanner wrench not only makes it easier to service valves, but also protects the enclosing tube from damage.

The Emerson Solenoid Multi-Purpose Tool incorporates a variety of useful service functions into a single precision unit. See **Figure 1**.

1 – Magnetic tool

To open a normally closed Emerson solenoid valve that is in the de-energized state and has no manual stem, place the tool over the enclosing tube. The magnetic field will immediately draw the plunger upwards to the open position. The magnet will open a solenoid valve at up to 300 pounds per square inch (psi) system pressure differential. See **Figure 2**.

2 – Spanner wrench

To disassemble an Emerson solenoid valve for repair, place the tool over the enclosing tube and align the three spanner prongs with the recesses in the collar at the base of the tube. See **Figure 3**. Insert a ratchet with a $\frac{3}{8}$ -inch drive into the socket, turning counterclockwise to remove the enclosing tube and collar assembly. After repair, reassemble the valve with proper torque specifications on collar:

100RB Series – 225 in. lbs.

240RA Series – 150 in. lbs.

540RA Series – 150 in. lbs.

3 – Manual stem adjustment tool

To operate an Emerson valve with a manual stem, remove the stem cap and insert the manual stem into the manual stem slot, turning counterclockwise to open the valve. See **Figure 4**.

The Emerson advantage

Emerson understands that it takes more than tools and technology to keep customers satisfied. It takes unmatched service and unparalleled support, which is exactly the combination Emerson Climate Technologies delivers. That's why contractors around the world turn to Emerson for the ultimate in refrigeration and air conditioning technology, breakthrough products and unwavering customer support.

For more information

Ask your local Emerson Climate Technologies wholesaler about the Solenoid Multi-Purpose Tool and other essential Emerson Climate Technologies products. For information on local refrigeration and air conditioning wholesalers near you, installation tips, FAQs and more, go to EmersonClimateContractor.com.

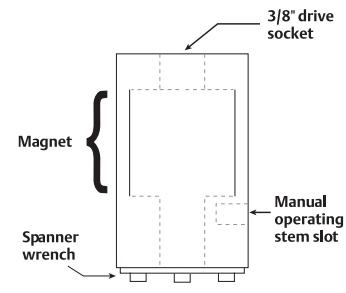


Figure 1

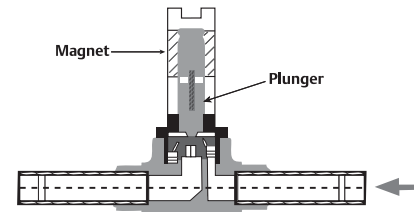


Figure 2

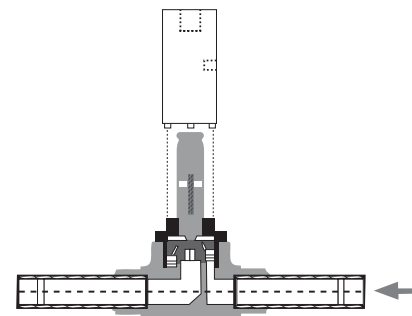


Figure 3

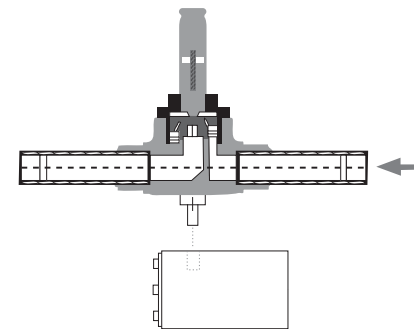


Figure 4

WARNING

Strong magnetic field. Even if packaged, keep tool at least 24 inches away from:

- Pacemakers and other electronic cardiac-care devices
- Computers, display screens, discs, tapes, phones, BlackBerry® devices, PDAs, etc.
- Magnetic-strip devices, including credit cards