

General information:

EXD-SH1/2 are stand-alone superheat and or temperature controllers. EXD-SH1 is intended for operation of one bipolar electrical control valve whereas EXD-SH2 is designed for operation of two independent bipolar electrical control valves. A table of the available application possibilities is listed below:

Controller	Circuit 1: Main function	Circuit 2: Main function
EXD-SH1	Superheat or temperature control	
EXD-SH2	Superheat or temperature control	Superheat Control

Notes:

It is possible to use only circuit 1 from EXD-SH2. In this case, the circuit 2 must be disabled (C2 parameter) and the sensors and the valve for the second circuit are not needed.

ModBus communication is described in a Technical Bulletin and it is not covered by this document.

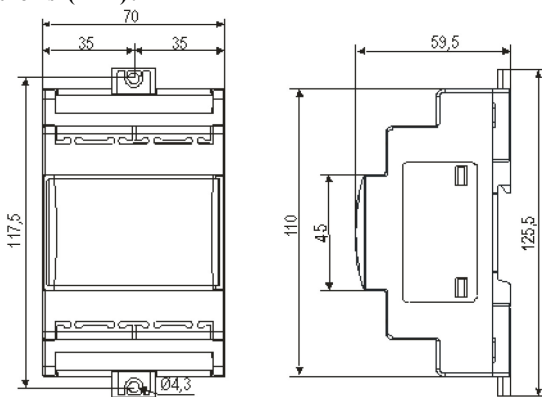
Technical data:

Power supply	24VAC/DC +10%/-10% 50/60HZ,
Power consumption	EXD-SH1: 25VA EXD-SH2: 50VA
Plug-in connector	Removable screw terminals wire size 0.14...1.5 mm ²
Protection class	IP00
Temperature sensors	ECN-N... / TP1... (temperature range down to -45°C) ECN-Z... (temperature range down to -80°C ultra low temperature)
Allowable operating/surrounding temperature	0...+55°C
Maximum cable distance between EXD-SH and EXD-PM	50 cm AWG 18 wire size (≥ 1mm ²)
Pressure sensors	PT5N, PT5N-FLR or ratiometric probes
Output alarm relay current rating	Resistive Load 24 V AC/DC, 1 A Inductive Load 24 V AC/DC, 0.5 A
Contact is closed:	During alarm condition
Contact is open:	During normal operation and supply power OFF
Stepper motor output	Valves: EX4-8 (EX4-7-FLR) CV4-7
Mounting	For standard DIN rail
Marking	

Warning:

EXD-SH1/2 (EXD-PM, ECP-024) has a potential ignition source and does not comply with ATEX requirements. Installation only in non-explosive environment. For flammable refrigerants only use valves and accessories approved for it!

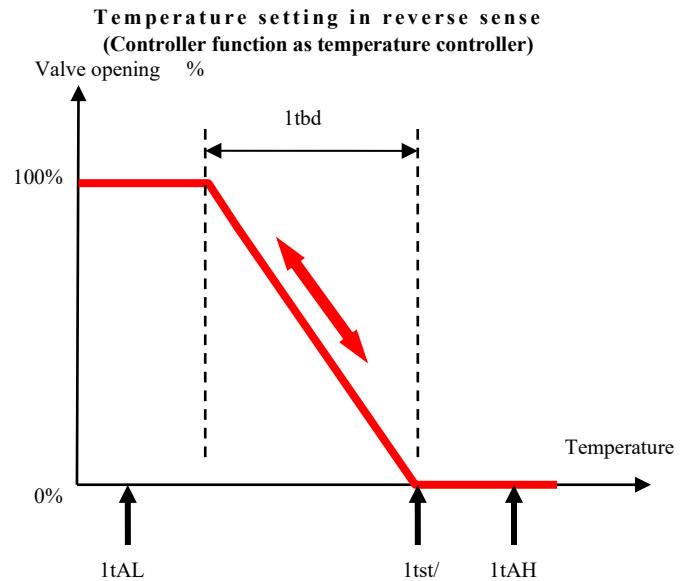
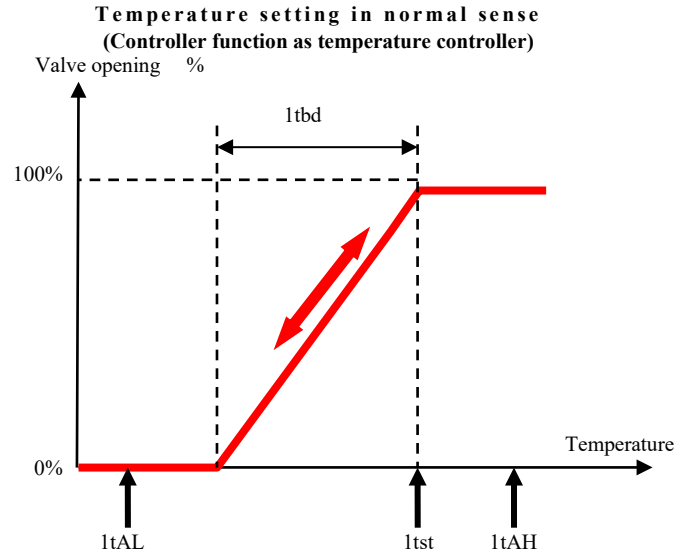
Dimensions (mm):



Safety instructions:

- Read operating instructions thoroughly. Failure to comply can result in device failure, system damage or personal injury.
- It is intended for use by persons having the appropriate knowledge and skill.
- Before installation or service disconnect all voltages from system and device.
- Do not operate system before all cable connections are completed.
- Do not apply voltage to the controller before completion of wiring.
- Entire electrical connections have to comply with local regulations.
- Inputs are not isolated, potential free contacts needed to be used.

- **Disposal:** Electrical and electronic waste must NOT be disposed of with other commercial waste. Instead, it is the user responsibility to pass it to a designated collection point for the safe recycling of Waste Electrical and Electronic Equipment (WEEE directive 2012/19/EU). For further information, contact your local environmental recycling center.



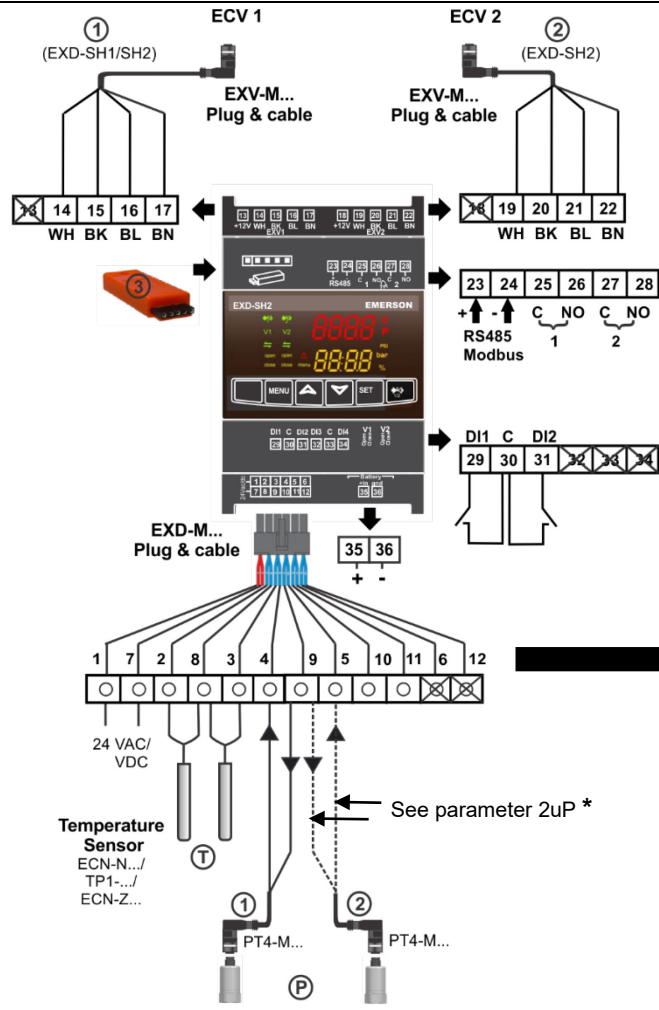
Electrical connection and wiring:

- Refer to the electrical wiring diagram for electrical connections.
- **Note:** Keep controller and sensor wiring well separated from supply power cables. Minimum recommended distance 30 mm.
- When connecting the wires of the EXV-M... (electrical plug of valves) consider the color coding as follows:
EXV-M...: WH: White; BK: Black; BN: Brown; BL: Blue

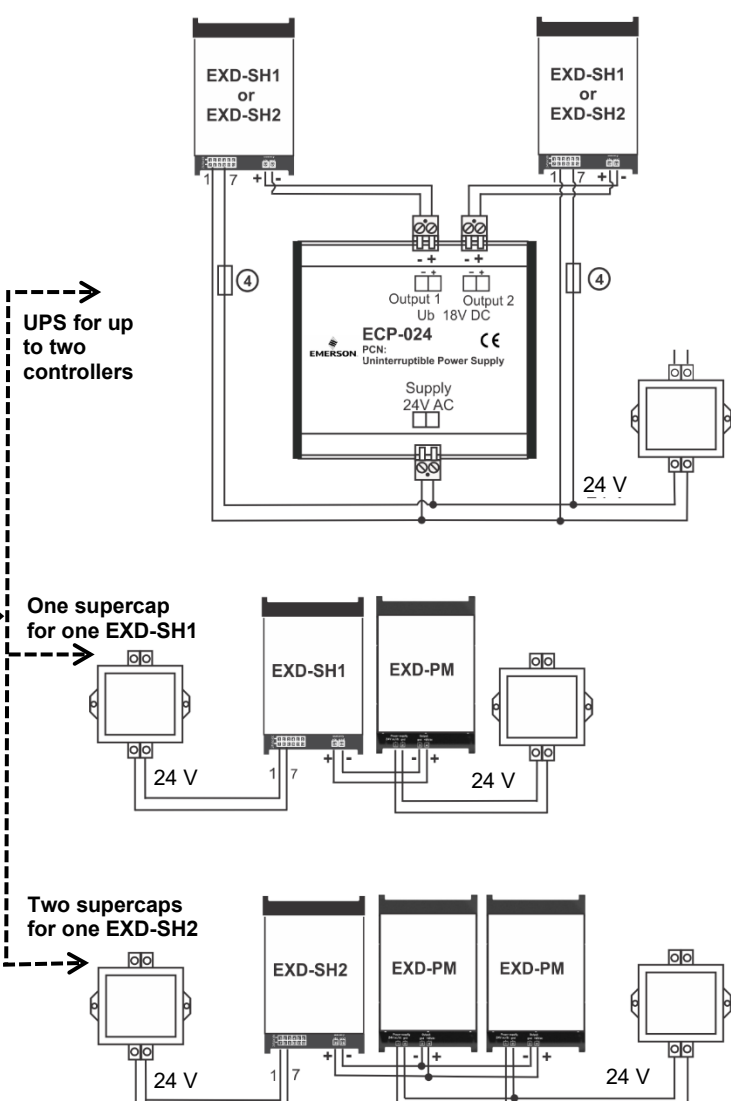
- The digital input DI1 (EXD-SH1/SH2) and DI2 (EXD-SH2) are the interfaces between EXD-SH1/2 and upper level system controller if the Modbus communication has not been used. The external digital inputs must be free of potential (dry contact) and shall be operated in function system's compressor/demand.

Operating condition	Digital input status
Compressor starts/run	External contact to be closed (Start)
Compressor stops	External contact to be open (Stop)

Note: Connecting any EXD-SH1/2 inputs to the supply voltage will permanently damage the EXD-SH1/2



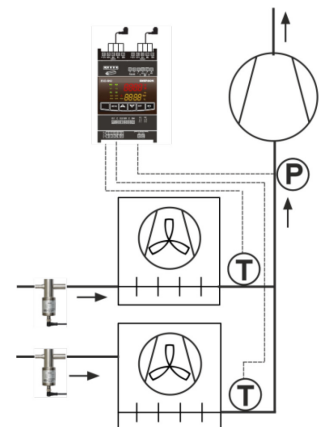
Wiring options: UPS (ECP-024) /Supercap (EXD-PM)



- Warning:**
- Use a class II category transformer for 24VAC power supply. Do not ground the 24VAC lines. We recommend using individual transformers for EXD-SH1/2 controller and for third party controllers to avoid possible interference or grounding problems in the power supply.
 - If EXD-PM is connected, it is mandatory to have individual transformer for EXD-SH... and EXD-PM.

①	Circuit 1 (EXD-SH1/SH2)	14-17	Electrical control valve circuit 1 (ECV1) EXV-M... Electrical plug: wire colors <i>WH-white BK-black BL-blue BN-brown</i>
②	Circuit 2 (EXD-SH2)		
③	Download/upload key	19-22	Electrical control valve circuit 2 (ECV2) EXV-M... Electrical plug: wire colors <i>WH-white BK-black BL-blue BN-brown</i>
1 and 7	Supply voltage 24 VAC/DC	23 and 24	RS485 (+/-terminal)
2 and 8	Temperature sensor circuit 1	25 and 26	Alarm relay circuit 1 (C, NO) – Suitable for 24 VAC/DC
3 and 8	Temperature sensor circuit 2	27 and 28	Alarm relay circuit 2 (C, NO) – Suitable for 24 VAC/DC
4 and 5	PT5N... circuit 1 & circuit 2 (white wire: 4 – 20 mA signal)	29 and 30	Digital input circuit1 (DI1) – Dry contact, potential free
9	+ 12VDC Voltage input for PT5N... (brown wire)	31 and 30	Digital input circuit 2 (DI2) – Dry contact, potential free
Alternative ratiometric third Party Pressure Transmitter: <i>Warning: Read the note in the last page for limitation of error condition</i>			
4 and 5	Pressure transmitter circuit 1 & circuit 2 (0.5 - 4.5 V signal)	35 and 36	Battery/Super capacitor connection terminal
11	+ 5 VDC voltage input	④	Fuse: EXD-SH1 (1A), EXD-SH2 (2A)
10	GND Ground	6,12,13, 18,32-34	Not used (Terminals on EXD-SH12)

*) Parameter 2uP with No. 9 = only pressure sensor circuit 1 is used



Preparation for Start-up:

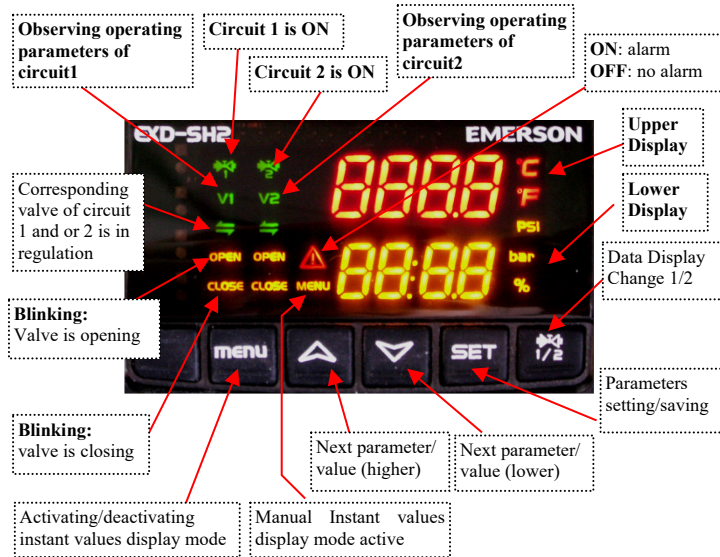
- Vacuum the entire refrigeration circuit.
- **Note:** EX/ CV valves are delivered partially open position. Do not charge system with refrigerant before closure of valve.
- Apply supply voltage 24V to EXD-SH1/2 while the digital input (DI1/DI2) is open. The valve will be driven to close position.
- After closure of valve, start to charge the system with refrigerant.

Setup of parameters:

(need to be checked/modified before system start-up)

- Make sure that digital input (DI1/DI2) is open. Turn on the 24V power supply to EXD-SH1/2.
- Parameters Password (H5), type of function (1Fct), refrigerant type (1u0/2u0), pressure sensor type (1uP/2uP) and valve scaling (1uF/2uF) need to be set according system requirement and only when digital input DI1/DI2 is open. This feature is for added safety to prevent accidental damage of compressors and other system components.
- Once the main parameters have been selected and saved, the EXD-SH1/2 is ready for startup. All other parameters can be modified at any time during operation or in system standby, if it is necessary.

Display/keypad unit: (LEDs and button functions)



Display description:

	Selected main function		Temperature control
	Compressor ON	Compressor OFF	
Upper display shows	Superheat (K/F)	Superheat (K/F)	Controlled temperature (°C/F)
Lower display shows	Valve opening (%)	Suction pressure (bar/psig)	Valve opening (%)

Note: when Superheat value is blinking, the controller is in MOP function.

Instant value display mode:

- The controller displays the values of one circuit at a time, to change from one circuit to the other, press button (Function only for EXD-SH2).
- By pressing the key, the instant value display mode can be activated/deactivated, which allows the user to check the measured/calculated values in real time in a sequence shown as below table:

Value on upper display	Code on lower display
Superheat (K/F)	SH
Valve opening (%)	OPEn
Suction temperature (°C/°F)	tASP
Suction pressure (bar/psig)	PEuA
Saturation temperature (°C/°F)	tEuA
Software version: (0A)	SH1 or SH2

Repeating display of values

Parameter configuration mode:

The configuration of parameters is protected by a numerical password. The default password is "12". To enter the parameter configuration:

- Press both the and buttons for more than 5 seconds.
- A flashing "0" is displayed in upper and "PAS" at lower.
- Press until "12" is displayed; (password).
- Press to confirm password.
- Press or to show the code of the parameter (see table of parameter codes) that has to be accessed/changed.
- Press to choose and adjust parameter value.
- Press or to increase or decrease the value.
- Press to temporarily confirm the new value. The selected value blinks a few times and the display shows the next available parameter code.
- Repeat the procedure for other parameters if needed.

To exit and save the new settings:

- When all parameters where changed press to save all the new values and exit the parameters modification procedure.

To exit and not save the new settings:

- Press and to cancel the parameter modification and delete any changes made.
- Another way to exit without saving the changes made at the parameters is to not press any button for at least 120 seconds (TIME OUT).
- **Note:** While in parameter modification mode, the controller will display the parameter code on the lower display and the parameter value on the upper display.

Special manual functions: (Rest, clear)

- Press both the and buttons for more than 5 seconds.
- A flashing "0" is displayed.
- Press until "12" is displayed; (if default password has been changed, it must select the new password)
- Press to confirm password
- Select the special function as explained at the parameter configuration mode

The special functions are:

Displayed Value	Code
Factory Reset	-Fdt
Clear Alarms (only manual reset)	ALrr

- The default value for each variable is 0, when it set to 1 it will trigger the corresponding function.
- The factory reset of the controller (-Fdt) is possible when digital input DI1/DI2 is open.

Manual Valve operation (service /maintenance):

- Press for more than 5 seconds
- Select, modify and save the variables like explained at the parameter configuration mode

Code	Parameter description and choices	Min	Max	Factory setting	Field setting
1Ho	Manual mode operation; circuit 1 0 = disabled 1 = Enabled	0	1	0	
1HP	Valve opening (%)	0	100	0	
2Ho	Manual mode operation; circuit 2 0 = disabled 1 = Enabled	0	1	0	
2HP	Valve opening (%)	0	100	0	

Note: During manual operation, functional alarms such as low superheat are disabled. It is recommended to monitor the system operation when the controller is operated manually. Manual operation is intended for service or temporary operation of valve at a specific condition. After achieving the required operation, set the parameter 1Ho and 2Ho at 0 so the controller automatically operates the valve(s) according to its setpoint(s).

List of parameters in scrolling sequence by pressing button:

Code	Parameter description and choices	Min	Max	Factory setting
H5	Password	1	1999	12
Adr	ModBus address	1	127	1
br	Modbus baudrate	0	1	0
PAr	Modbus parity	0	1	0
-C2	Circuit 2 of EXD-SH2 enabled 0 = Disabled 1 = Enabled	0	1	1
-uC	Units conversion 0 = °C, K, bar, 1 = °F, psig	0	1	0
Circuit 1 Parameters				
1Fct	Function 0 = Superheat control 1 = Temperature control normal sense 2 = temperature control reverse sense	0	2	0
1u4	Control Mode 0 = standard 1 = slow 2 = intermediate control 3 = adjustable fixed PID	0	3	0
1u0	Refrigerant type 0 = R22 1 = R134a 2 = R507 3 = R404A 4 = R407C 5 = R410A 6 = R124 7 = R744 8 = R407A 9 = R407F 10 = R23 11 = R32* 12 = R1234ze*13 = R448A 14 = R449A 15 = R450A 16 = R513A 17 = R290* 18 = R1270* 19 = R454C* 20 = R452B* 21 = R454B* 22 = R454A* 23 = R452A 24 = R444B* 25 = R455A* 26 = R1233zdc* 27 = R1234yf*	0	27	1
1uP	Pressure sensor type 0 = PT5N-07x 1 = PT5N-18x 2 = PT5N-30x 3 = PT5N-50x 4 = PT5N-150D 5 = PT5N-10P-FLR 6 = Ratio metric (gauge) 7 = Ratio metric (absolute) 8 = Modbus	0	8	1
1Prr	Ratio metric range (bar)	3	60	30
1ut	Valve type 0 = EX4-6(FLR) 1 = EX7(FLR) 2 = EX8 3 = N/A 4 = N/A 5 = N/A 6 = N/A 7 = N/A 8 = N/A 9 = N/A 10 = CV4 11 = CV5-6 12 = CV7	0	12	0
1uF	Valve scaling (%)	5	100	100
1uu	Start opening (%)	0	100	10
1u9	Start opening duration (s)	0	120	5
1uL	Low superheat alarm 0 = disabled 1 = enabled auto reset 2 = enabled manual reset Alarm at 0.5K (if it maintains 1 min.); Alarm clear immediately at 3K	0	2	1
1u5	Superheat set point (K) Range = 3-30 K if 1uL = 1 or 2, Range = 0.5-30 K if 1uL = 0			6
1u2	MOP function 0 = disabled 1 = Enabled	0	1	1
1u3	MOP saturation temp (°C) Factory setting according to selected refrigerant (1u0). The default value can be changed	(see MOP default value table)		
1P9	Low pressure alarm mode 0 = disabled 1 = enabled auto-reset 2 = enabled manual reset	0	2	0
1PA	Low pressure alarm cut-out (bar)	-0.8	17.7	0
1Pb	Low pressure alarm delay (s)	5	199	5
1Pd	Low pressure alarm cut-in (bar)	-0.5	18	0.3
1P4	Freeze alarm delay mode 0 = disabled 1 = enabled auto-reset 2 = enabled manual reset	0	2	0
1P2	Freeze alarm cut-out (°C)	-5	5	0
1P5	Freeze alarm delay (s)	5	199	30
1P-	Superheat control circuit1 (Kp factor) Display 1/10K	0.1	10	1.0
1i-	Superheat control circuit1 (Ti factor)	1	350	100
1d-	Superheat control circuit1 (Td factor) Display 1/10K	0.1	30	3.0
1uH	High superheat alarm mode 0 = disabled 1 = enabled auto-reset;	0	1	0
1uA	High superheat alarm set point (K)	16	40	30
1ud	High superheat alarm delay (min)	1	15	3
1tSt	Temperature control set point (°C)	-80	50	4
1tbd	Temperature band (K)	1	10	2
1tAF	Temperature alarm mode 0 = disabled 1 = enabled	0	1	0
1tAL	Min. temperature alarm set point (°C)	-50	50	0
1tdL	Min. temperature alarm delay (min)	1	10	3
1tAH	Max. temperature alarm set point (°C)	-50	50	15
1tdH	Max. temperature alarm delay (min)	1	10	3
1tt	Temperature sensor type 0 = ECN-Nxx (-45...+40°C) / TP1-...(-45...+150°C) 1 = ECN-Z... (-80...-40°C) for R23	0	1	0

Code	Parameter description and choices	Min	Max	Factory setting
Circuit 2 Parameters (only EXD-SH2)				
2u4	Control Mode 0 = standard 1 = slow 2 = intermediate control 3 = adjustable fixed PID	0	3	0
2u0	Refrigerant type 0 = R22 1 = R134a 2 = R507 3 = R404A 4 = R407C 5 = R410A 6 = R124 7 = R744 8 = R407A 9 = R407F 10 = R23 11 = R32* 12 = R1234ze*13 = R448A 14 = R449A 15 = R450A 16 = R513A 17 = R290* 18 = R1270* 19 = R454C* 20 = R452B* 21 = R454B* 22 = R454A* 23 = R452A 24 = R444B* 25 = R455A* 26 = R1233zdc* 27 = R1234yf*	0	27	1
2uP	Pressure sensor type 0 = PT5N-07x 1 = PT5N-18x 2 = PT5N-30x 3 = PT5N-50x 4 = PT5N-150D 5 = PT5N-10-FLR 6 = Ratio metric (gauge) 7 = Ratio metric (absolute) 8 = Modbus 9 = Pressure sensor circuit1 is used (1uP)	0	9	1
2Prr	Ratio metric range (bar)	3	60	30
2ut	Valve type 0 = EX4-6(FLR) 1 = EX7(FLR) 2 = EX8 3 = N/A 4 = N/A 5 = N/A 6 = N/A 7 = N/A 8 = N/A 9 = N/A 10 = CV4 11 = CV5-6 12 = CV7	0	12	0
2uF	Valve scaling (%)	5	100	100
2uu	Start opening (%)	0	100	10
2u9	Start opening duration (s)	0	120	5
2uL	Low superheat alarm 0 = disabled 1 = enabled auto reset 2 = enabled manual reset Alarm at 0.5K (if it maintains 1 min.); Alarm clear immediately at 3K	0	2	1
2u5	Superheat set point (K) Range = 3-30 K if 2uL = 1 or 2, Range = 0.5-30 K if 2uL = 0	0.5	30	6
2u2	MOP function 0 = disabled 1 = Enabled	0	1	1
2u3	MOP saturation temp (°C) Factory setting according to selected refrigerant (2u0). The default value can be changed	(see MOP default value table)		
2P9	Low pressure alarm mode 0 = disabled 1 = enabled auto-reset 2 = enabled manual reset	0	2	0
2PA	Low pressure alarm cut-out (bar)	-0.8	17.7	0
2Pb	Low pressure alarm delay (s)	5	199	5
2Pd	Low pressure alarm cut-in (bar)	-0.5	18	0.3
2P4	Freeze alarm delay mode 0 = disabled 1 = enabled auto-reset 2 = enabled manual reset	0	2	0
2P2	Freeze alarm cut-out (°C)	-5	5	0
2P5	Freeze alarm delay (s)	5	199	30
2P-	Superheat control circuit2 (Kp factor), fixed PID Display 1/10K	0.1	10	1.0
2i-	Superheat control circuit2 (Ti factor), fixed PID	1	350	100
2d-	Superheat control circuit2 (Td factor), fixed PID Display 1/10K	0.1	30	3.0
2uH	High superheat alarm mode 0 = disabled 1 = enabled auto-reset;	0	1	0
2uA	High superheat alarm set point (K)	16	40	30
2ud	High superheat alarm delay (min)	1	15	3
2tt	Temperature sensor type 0 = ECN-Nxx (-45...+40°C) / TP1-...(-45...+150°C) 1 = ECN-Z60 (-80°C...-40°C) for R23	0	1	0

***) ⚠ Warning -Flammable refrigerants:**

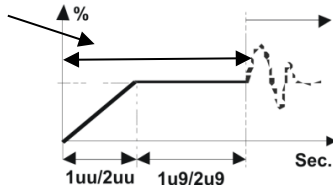
EXD-SH1/2 (EXD-PM, ECP-024) has a potential ignition source and does not comply with ATEX requirements. Installation only in non-explosive environment. For flammable refrigerants only use valves and accessories approved for it!

MOP default value table (°C):

Refr.	Min.	Max.	(°C)	Refr.	Min.	Max.	(°C)	Refr.	Min.	Max.	(°C)
R22	-70	+50	+13	R23	-70	-18	-40	R452B	-45	+66	+25
R134a	-57	+66	+15	R32	-52	+30	+15	R454B	-40	+45	+18
R507	-75	+42	+7	R1234ze	-57	+66	+24	R454A	-57	+66	+10
R404A	-76	+42	+7	R448A	-57	+66	+12	R452A	-45	+66	+15
R407C	-66	+48	+15	R449A	-57	+66	+12	R444B	-45	+66	+15
R410A	-52	+30	+15	R450A	-57	+66	+19	R455A	-57	+66	+14
R124	-45	+91	+50	R513A	-57	+66	+13	R1233zdc	-45	+90	+15
R744	-40	-4	-5	R290	-66	+48	+15	R1234yf	-52	+66	+15
R407A	-66	+48	+10	R1270	-66	+48	+15				
R407F	-66	+48	+10	R454C	-66	+48	+17				

Control (valve) start-up behavior factory settings
(1uu + 1u9) / (2uu + 2u9)

- EX4/5/6 ≤ 5.3 Seconds
- EX7 ≤ 5.6 Seconds
- EX8 ≤ 5.9 Seconds
- CV4 ≤ 5.3 Seconds
- CV5/6 ≤ 5.3 Seconds
- CV7 ≤ 6.6 Seconds



Upload/download Key: Function

For serial production of systems/units, upload/download key allows the transmission of configured parameters among range of identical systems.

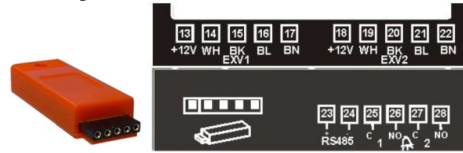
Uploading procedure (storing configured parameters in key):

- Insert the key while the first (reference) controller is ON and press button; the “uPL” message appears followed by “End” message for 5 seconds.
- **Note:** If the “Err” message is displayed for failed programming, repeat the

above procedure.

Downloading procedure (configured parameters from key to other controllers):

- Turn off power to new controller.
- Insert a loaded Key (with stored data from reference controller) into new controller and turn on the power supply.
- The stored parameters of the key will be downloaded automatically into the new controller memory; The “doL” message appears followed by a “End” message for 5 seconds.
- The new controller with new loaded parameters setting will start to operate after “End” message disappears.
- Remove the key.
- **Note:** If the “Err” message is displayed for failed programming, repeat the above procedure.



Error/Alarm handling:

Alarm code	Description	Related parameter	Alarm relay	Valve	What to do?	Requires clear alarm after resolving alarm
1E0/2E0	Pressure sensor circuit 1/2 error	-	Triggered	Fully close	Check wiring connection and measure the signal.	No
1E1/2E1	Temperature sensor circuit 1/2 error	-	Triggered	Fully close	Check wiring connection and measure the resistance of sensor.	No
1T1/2T1	Valve Circuit 1/2 electrical connection error	-	Triggered	-	Check wiring connection and measure the resistance of winding.	No
AFE 1/2	Freeze protection circuit 1/2	1P4/2P4:1	Triggered	Fully close	Check the system for cause of low pressure such as insufficient load on evaporator.	No if it is ON
AFE 1/2		1P4/2P4:2	Triggered	Fully close		Yes if it is blinking
LSH 1/2	Low superheat (<0.5K)	1uL/2uL:1	Triggered	Fully close	Check wiring connection and operation of valve.	No if it is ON
LSH 1/2		1uL/2uL:2	Triggered	Fully close		Yes if it is blinking
tAL1	Min. temperature alarm	1tAL	Triggered	Fully close	Check wiring connection, operation of valve, size of valve and load.	No
tAH1	Max. temperature alarm	1tAH	Triggered	Fully close		No
HSH 1/2	High superheat circuit 1/2	1uH/2uH:1	Triggered	Operating	Check the system.	No
LOP 1/2	Low pressure circuit 1/2	1P9/2P9 1	Triggered	Operating	Check the system for cause of low pressure such as refrigerant loss.	No if it is ON
LOP 1/2		1P9/2P9 2	Triggered	Operating		Yes if it is blinking
Err	Failed uploading/downloading	-	-	-	Repeat again the procedure for uploading/downloading.	No
ACEr	Modbus Timed Out	-	-	-	Check Modbus communication. Note: Modbus alarm (ACEr) detection is active only when the pressure sensor type is configured to be Modbus type and the corresponding circuit is on demand.	No
PFA	Power failure alarm	-	Triggered	Fully close	When the controller is connected to the battery supply and power supply interrupted, this alarm code will be displayed while the valve is closing.	No

ACF1 or ACF2: Alarm code (circuit1/2) for “not permitted configuration/selection” Alarm will be displayed for the following cases:

- If two circuits of the EXD-SH2 are connected to two different type of pressure transducers i.e. 4-20 mA and 0-5 V. It is mandatory that two circuits always are connected to the same type of pressure transmitter technology.
- Temperature control function is possible only with EX4-8 series valves. If other valves are used, then the ACF alarm will be displayed.
- Ratiometric pressure transmitters cannot be selected in conjunction with R744.

Notes:

- When several alarms are present, the alarms will be shown one after the other on the lower display.
- Pressure sensor error for third party ratiometric pressure transmitters is based on detection of interruption of two wires (5 V and signal 0.5 - 4.5 V). If only third wire (ground) is open/ interrupted, no error can be detected and controller will receive a false signal between 50% and 100% higher. This false signal leads to improper operation of EXD-SH1/2 controller and can lead to system/compressor damage. EMERSON is not responsible in such cases.

Service / Troubleshooting:

Symptom	Cause	Action
Operating superheat is several degrees higher or lower than set-point	Incorrect signal from pressure or temperature sensors	1- Check the sensors (see list of parameters) 2- Make sure the sensor cables are not installed along with other high voltage cables
Operating superheat is too low i.e. compressor wet running	1- Incorrect wiring of ECVs 2- Defective sensors	1- Check the wiring 2- Check the sensor
Valve is not fully closed	1- The digital input is ON 2- Wrong setting of parameter ut.	1- Valve is shut off only when the digital input is turned off. 2- Check the setting of parameter ut.
Instable superheat (hunting)	Evaporator is designed to operate at higher superheat	Increase the superheat set-point.
Valve opens when EXD commands to close and vice versa	Wrong wiring between EXD-SH... and valve	Correct the wiring.
EX8 is not able to open at high differential pressure	Wrong setting of parameter ut	Check the parameter ut. (Larger valve requires higher torque and higher current)
Superheat set-point is shifting after several months of uninterrupted operation or permanent jumper of 24 V digital input	Stepper motor driven valves require synchronization	Do not jumper digital input permanently. Interrupt digital input once every week for 10 seconds if compressor never stops.

Beschreibung:

EXD-SH1/2 eigenständige Überhitzungs- und Temperaturregler. Der EXD-SH1 ist für ein bipolares elektrisches Regelventil aus den Serien EX/CV, der EXD-SH2 für zwei getrennt arbeitende Ventile. Folgende Anwendungen sind möglich:

Regler	Regelkreis 1	Regelkreis 2
EXD-SH1	Überhitzungs- oder Temperaturregelung	
EXD-SH2	Überhitzungs- oder Temperaturregelung	Überhitzungsregelung

Hinweis:

Es ist möglich nur den Kreislauf 1 vom EXD-SH2 zu verwenden. In diesem Falle muss der Kreislauf 2 über den Parameter C2 abgeschaltet werden; Ventil und Sensoren brauchen nicht angeschlossen werden. Die ModBus Kommunikation ist im Technical Bulletin beschrieben und nicht Teil dieses Dokuments.

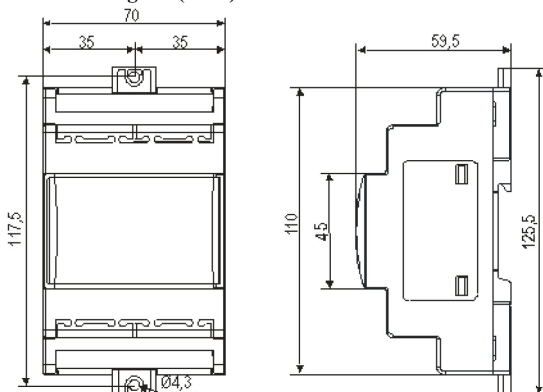
Technische Daten:

Versorgungsspannung	24VAC/DC +10%/-10% 50/60 Hz,
Leistungsaufnahme	EXD-SH1: 25 VA EXD-SH2: 50 VA
Steckerverbindung	Abnehmbare Schraubklemmen für Kabelquerschnitt von 0,14 bis 1,5 mm ²
Schutzklasse	IP00
Temperaturfühler	ECN-N... / TP1... (Temperaturbereich bis -45°C) ECN-Z... (Temperaturbereich bis -80°C, Tieftemperatur)
Zulässige Umgebungstemperatur bei Betrieb	0...+55°C
Maximale Kabellänge zwischen EXD-SH und EXD-PM	50 cm AWG 18 adrig, Querschnitt (≥ 1 mm ²)
Drucktransmitter	PT5N, PT5N-FLR oder ratiometrische Sensoren
Belastbarkeit Alarm-Relais	Resistive Load 24 V AC/DC, 1 A Inductive Load 24 V AC/DC, 0,5 A
Kontakt geschlossen:	Während Alarm
Kontakt offen:	Während Normalbetrieb und AUS Versorgungsspannung
Schrittmotorausgang	Ventile: EX4-8 (EX4-7-FLR), CV4-7
Montage	Standard Schienenmontage
Kennzeichnung	

⚠ Warnung:

EXD-SH1/2 (EXD-PM, ECP-024) hat eine potentielle Zündquelle und entspricht nicht den ATEX Bestimmungen. Installation nur in nicht explosionsgefährdeter Umgebung. Für brennbare Kältemittel nur Ventile und Zubehörteile, die dafür zugelassen sind verwenden!

Abmessungen (mm):

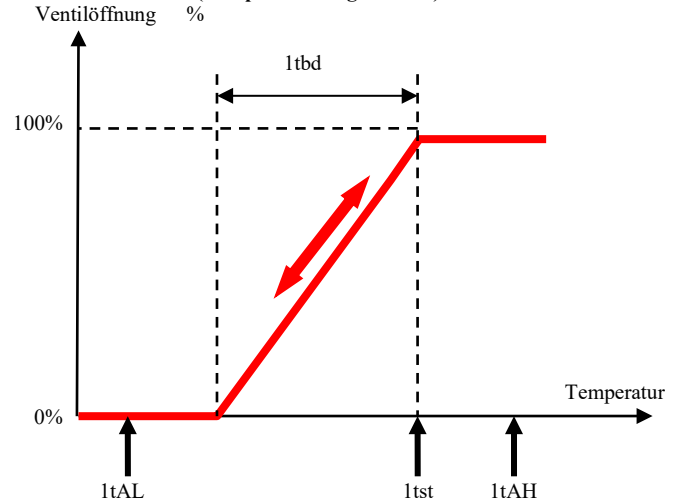


⚠ Sicherheitshinweise:

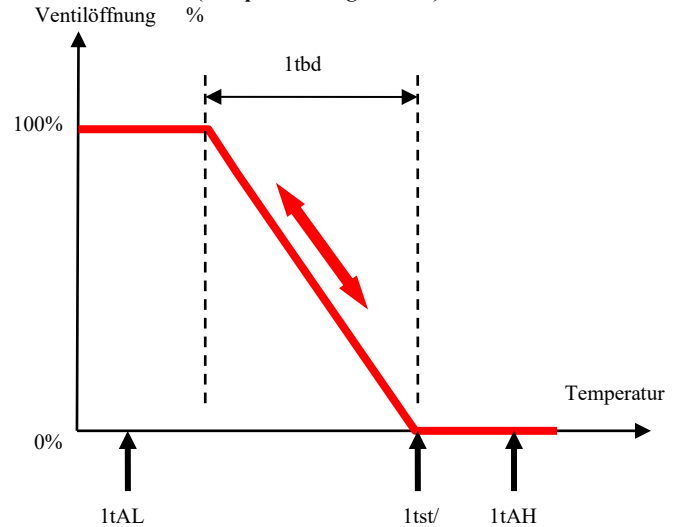
- Lesen Sie die Betriebsanleitung gründlich. Nichtbeachtung kann zum Versagen oder zur Zerstörung des Gerätes und zu Verletzungen führen.
- Der Einbau darf nur von Fachkräften vorgenommen werden.
- Der Kältekreislauf darf nur in drucklosem Zustand geöffnet werden.
- Die Anlage erst in Betrieb nehmen, wenn alle Kabelverbindungen vollständig sind.
- Die Anlage darf erst dann in Betrieb genommen werden, wenn alle Verbindungen hergestellt sind.

- Für den gesamten elektrischen Anschluss sind die länderspezifischen Vorschriften einzuhalten.
- Digitaleingänge sind spannungsbehaftet; nur potentialfreie Schaltkontakte verwenden.
- Entsorgung: Elektro- und Elektronik-Altgeräte dürfen nicht mit anderen Gewerbemüll entsorgt werden. Stattdessen ist es in der Verantwortung Benutzer es zu einem Sammelpunkt für die sichere Entsorgung von Elektro- und Elektronik-Altgeräte (WEEE-Richtlinie 2012/19/EU) zu übergeben. Für weitere Informationen kontaktieren Sie bitte Ihren örtlichen Recyclinghof.

Temperatureinstellungen Direkt-Proportionalbetrieb (Temperatur-Regelmodus)



Temperatureinstellungen Indirekt-Proportionalbetrieb (Temperatur-Regelmodus)



Elektrischer Anschluss und Verdrahtung:

- Den elektrischen Anschluss gemäß Verdrahtungsschema durchführen!
- **Hinweis:** Signalleitungen und Leitungen mit Netzspannung in getrennten Kabelschächten verlegen, Mindestabstand 30mm.
- Bei Anschluss von EXV-M... (Ventilstecker) muss die Farbe der Adern wie folgt berücksichtigt werden:
EXV-M...: WH: Weiß; BK: Schwarz; BN: Braun; BL: Blau
- Die Digitaleingänge DI1 (EXD-SH1/SH2) und DI2 (EXD-SH2) sind die Schnittstellen zwischen EXD-SH1/2 und dem übergeordnetem Systemregler, wenn keine Modbus Kommunikation eingesetzt wird. Die externen Schaltkontakte müssen potentialfrei sein (dry contact) und entsprechend der Systemanforderung angesteuert werden.

Betriebszustand	Status Digitaleingang
Verdichter startet/läuft	Externe Schaltkontakte schließen (Start)
Kompressor stoppt	Externe Schaltkontakte öffnen (Stopp)

Hinweis: Das Aufschalten von externer Spannung auf die Digitaleingänge führt zur dauerhaften Beschädigung des EXD-SH1/2.

Vorbereitungen für die Inbetriebnahme:

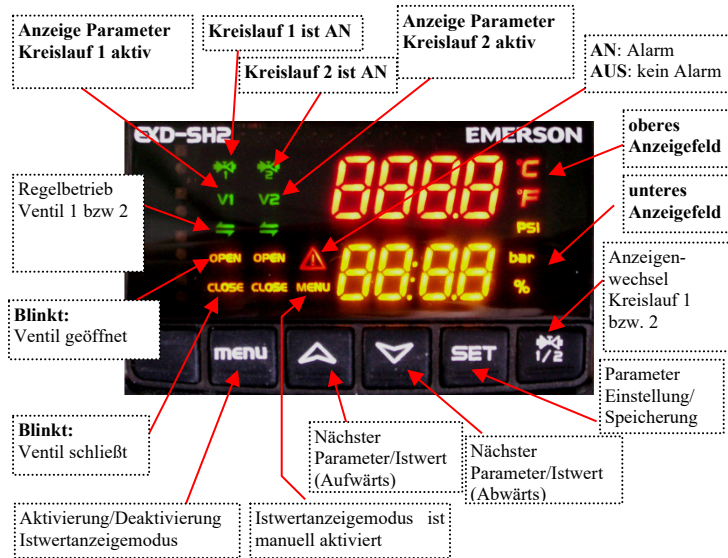
- Gesamten Kältekreislauf evakuieren.
- **Hinweis:** Die Elektrischen Regelventile EX/CV werden halb geöffnet ausgeliefert. Den Kältekreislauf nur bei geschlossenem Ventil mit Kältemittel füllen.
- Die 24V Versorgungsspannung des EXD-SH1/2 einschalten, während die Digitaleingänge (DI1/DI2) offen sind. Das Ventil wird schließen.
- Bei geschlossenem Ventil System mit Kältemittel füllen.

Parametereinstellung:

(müssen vor dem Starten geprüft und bei Bedarf angepasst werden)

- Stellen sie sicher, dass die Digitaleingänge (DI1/DI2) offen sind. Schalten sie die 24V Spannungsversorgung des EXD-SH1/2 ein.
- Wenn die Digitaleingänge DI1/DI2 offen sind, müssen die Parameter Passwort (H5), Funktion (1Fct), Kältemittel (1u0/2u0), Drucksensortyp (1uP/2uP) und Regelbereich (1uF/2uF) entsprechend den Systemanforderungen eingestellt werden. Dies ist eine Sicherheitsmaßnahme um zu verhindern, dass versehentlich am Verdichter und an anderen Komponenten Schäden entstehen.
- Sobald die wichtigsten Parameter eingestellt und gespeichert sind, ist der Regler EXD-SH1/2 fertig für die Inbetriebnahme. Alle anderen Parameter könne auch während des Betriebes oder im Stand-By Modus verändert werden.

Anzeige/Tastatur (LEDs and Testenfunktionen)



Anzeige Beschreibung:

	Gewählte Hauptfunktion		
	Überhitzungsregelung		Temperaturregelung
	Verdichter AN	Verdichter AUS	
Oberes Anzeigefeld	Überhitzung (K/F)	Überhitzung (K/F)	Isttemperatur (°C/F)
Unteres Anzeigefeld	Ventilöffnung (%)	Saugdruck (bar/psig)	Ventilöffnung (%)

Hinweis: Wenn der Überhitzungswert blinkt ist der Regler im MOP Betrieb.

Istwertanzeigenmodus:

- Es werden jeweils die Istwerte von einem Kreis angezeigt.
- Um von einem Kreis zum anderen zu wechseln kann die Taste betätigt werden. (Funktion nur bei EXD-SH2).
- Durch Drücken der Taste kann die Istwertanzeige aktiviert/deaktiviert werden. Damit können folgende gemessene oder berechnete Istwerte entsprechend der unteren Tabelle abgerufen werden.

Wert im oberen Anzeigefeld	Code im unteren Anzeigefeld
Überhitzung (K/F)	SH
Ventilöffnung (%)	OPeN
Saugtemperatur (°C/°F)	tASP
Saugdruck (bar/psig)	PEuA
Sättigungstemperatur (°C/°F)	tEuA
Softwareversion: (0A)	SH1 oder SH2

Die Werte können wiederholt angezeigt werden

Parametereinstellungsmodus:

Der Parametereinstellungsmodus ist durch ein numerisches Passwort geschützt.

Die Werkseinstellung ist "12".

Zum starten des Parametereinstellungsmodus:

- Beide Tasten, und für mehr als 5 Sekunden gedrückt halten.
- Im oberen Anzeigefeld wird eine blinkende "0" und im unteren Anzeigefeld "PAS" angezeigt
- gedrückt halten bis "12" (das Passwort) angezeigt wird.
- Mit das Passwort bestätigen.
- Mit oder können die Parameter der Liste nacheinander angezeigt werden.
- Mit kann der Parameter der eingestellt bzw. verändert werden soll ausgewählt werden.
- Mit oder können die Werte vergrößert oder verkleinert werden.
- Durch drücken von wird der Wert zwischengespeichert. Der Wert blinkt für kurze Zeit dann wechselt die Anzeige zum nächsten Parameter.
- Diese Abfolge kann für alle einzustellenden Parameter wiederholt werden.

Um die neuen Werte dauerhaft zu speichern und den Einstellmodus zu verlassen:

- Taste drücken

Den Einstellmodus verlassen OHNE die neuen Einstellungen dauerhaft zu speichern:

- Beide Tasten und drücken: die vorherigen Änderungen werden gelöscht und der Parametereinstellmodus wird geschlossen.
- Eine andere Möglichkeit zum Beenden ohne Speicherung ist mehr als 120 Sekunden ohne eine Tasteneingabe zu warten (TIME OUT).
- **Hinweis:** Im Parametereinstellungsmodus wird im unteren Anzeigefeld der Parameter und im oberen Anzeigefeld der Wert angezeigt.

Spezielle Funktionen (Reset, clear) und Handbetrieb

- Beide Tasten und für mehr als 5 Sekunden gedrückt halten.
- Eine blinkende "0" wird angezeigt.
- drücken bis "12" angezeigt wird; (falls ein individuelles, numerisches Passwort eingestellt ist muss dieses eingegeben werden.)
- Mit wird das Passwort bestätigt

Folgende Spezielle Funktionen können ausgewählt werden:

Anzeige	Code
Zurück zur Werkseinstellung	-Fdt
Alarmer löschen (nur manuell)	ALrr

- Die Voreinstellung ist 0, mit 1 wird die jeweilige Funktion aktiviert
- Zurück zur Werkseinstellung (-Fdt) kann nur aktiviert werden, wenn die Digitaleingänge DI1/DI2 offen sind.

Handbetrieb Ventile (Service /Wartung):

- länger als 5 Sekunden gedrückt halten
- Die Auswahl, Änderung und Speicherung der Parameter ist wie beim obigen Parametereinstellungsmodus.

Code	Parameter und Optionen	Min	Max	Werk-einstell-ung	Individ-uelle Einstell.
1Ho	Handbetrieb Kreislauf 1 0 = inaktiv 1 = aktiv	0	1	0	
1HP	Ventilöffnung (%)	0	100	0	
2Ho	Handbetrieb Kreislauf 2 0 = inaktiv 1 = aktiv	0	1	0	
2HP	Ventilöffnung (%)	0	100	0	

Hinweis: Während des Handbetriebes sind Funktionsalarmer, wie "Zu niedrige Überhitzung" unterdrückt. Deshalb muss die Anlage in diesem Falle sorgfältig mit anderen Mitteln überwacht werden. Der Handbetrieb ist nur für Test und Servicezwecke vorgesehen. Danach sind für den Automatik Betrieb die Parameter 1Ho und 2Ho auf "0" zu setzen so dass der Regler entsprechend den Sollwerteneinstellungen arbeiten kann.

Parametertabelle (hinterlegte Reihenfolge mit Taste):

Code	Parameterbeschreibung und -auswahl	Min	Max	Werk
H5	Passwort	1	1999	12
Adr	ModBus Adresse	1	127	1
br	Modbus Baudrate	0	1	0
PAr	Modbus Parität	0	1	0
-C2	Regelkreis 2 von EXD-HP2 aktivieren 0 = eingeschaltet 1 = ausgeschaltet	0	1	1
-uC	Maßeinheitensystem umstellen 0 = °C, K, bar 1 = F, psig	0	1	0
Kreislauf 1 Parameter				
1Fct	Funktion 0 = Überheizungsregelung 1 = Temperaturregelung direkt proportional 2 = Temperaturregelung indirekt proportional	0	2	0
1u4	Regelungsart Überheizung 0 = Standard 1 = langsam 2 = Zwischeneinstellung 3 = PID fest einstellbar	0	2	0
1u0	Kältemittel 0 = R22 1 = R134a 2 = R507 3 = R404A 4 = R407C 5 = R410A 6 = R124 7 = R744 8 = R407A 9 = R407F 10 = R23 11 = R32* 12 = R1234ze* 13 = R448A 14 = R449A 15 = R450A 16 = R513A 17 = R290* 18 = R1270* 19 = R454C* 20 = R452B* 21 = R454B* 22 = R454A* 23 = R452A 24 = R444B* 25 = R455A* 26 = R1233zde* 27 = R1234yf*	0	27	1
1uP	Drucksensor 0 = PT5N-07x 1 = PT5N-18x 2 = PT5N-30x 3 = PT5N-50x 4 = PT5N-150D 5 = PT5N-10P-FLR 6 = Ratiometrisch (Druck relativ) 7 = Ratiometrisch (Druck absolute) 8 = Modbus	0	8	1
1Pr	Ratiometrischer Bereich (bar)	3	60	30
1ut	Ventiltyp 0 = EX4-6 1 = EX7 2 = EX8 3 = N/A 4 = N/A 5 = N/A 6 = N/A 7 = N/A 8 = N/A 9 = N/A 10 = CV4 11 = CV5-6 12 = CV7	0	12	0
1uF	Ventil-Regelungsbereich (%)	5	100	100
1uu	Start Öffnung (%)	0	100	10
1u9	Dauer Ventilöffnung bei Start (s)	0	120	5
1uL	Alarm ein „zu geringe Überheizung“ 0 = aus 1 = ein - autom. Rückstellung 2 = ein - Handrückstellung Alarm bei 0.5K (bei Dauer > 1 min.); autom. Rückstellung sofort bei 3K	0	2	1
1u5	Überhitzungssollwert (K) Bereich = 3-30 K wenn 1uL = 1 oder 2, Bereich = 0,5-30 K wenn 1uL = 0			6
1u2	MOP Funktion 0 = aus 1 = ein	0	1	1
1u3	MOP Sättigungstemperatur (°C) Werkseinstellung entsprechend dem gewählten Kältemittel (1u0). Einstellung kann geändert werden	(siehe MOP Tabelle)		
1P9	Niederdruckalarm Regelkreis 1 0 = aus 1 = ein - autom. Reset 2 = ein - Handrückstellung	0	2	0
1PA	Grenzwert für Niederdruckalarm (bar)	-0.8	17.7	0
1PB	Niederdruckalarm Verzögerung (s)	5	199	5
1Pd	Rückstellung Niederdruckalarm (bar)	-0.5	18	0.3
1P4	Frostschutzalarm Regelkreis 1 0 = aus 1 = ein - autom. Rückstellung 2 = ein - Handrückstellung	0	2	0
1P2	Grenzwert Frostschutzalarm (°C)	-5	5	0
1P5	Alarmverzögerung Frostschutz (s)	5	199	30
1P-	Überheizungsregelung Kreislauf 1 (Kp Faktor) Display 1/10K	0.1	10	1.0
1i-	Überheizungsregelung Kreislauf 1 (Ti Faktor)	1	350	100
1d-	Überheizungsregelung Kreislauf 1 (Td Faktor) Display 1/10K	0.1	30	3.0
1uH	Alarm „zu große Überheizung“ 0 = aus 1 = ein mit Auto Reset	0	1	0
1uA	Grenzwert „Zu große Überheizung“ (K)	16	40	30
1ud	Verzögerung „Zu große Überheizung“ (min)	1	15	3
1tSt	Temperaturregelung Sollwert (°C)	-80	50	4
1tbd	Temperatur-Regelbereich (K)	1	10	2
1tAF	Temperatur Alarm 0 = aus, 1 = ein	0	1	0
1tAL	Alarm unterer Temperaturwert (°C)	-50	50	0
1tdL	Verzögerung Alarm unterer Temperaturwert (min)	1	10	3
1tAH	Alarm oberer Temperaturwert (°C)	-50	50	15
1tdH	Verzögerung Alarm Oberer Temperaturwert (min)	1	10	3
1tt	Temperatursensor 0 = ECN-Nxx (-45...+40°C) / TP1-...(45...+150°C) 1 = ECN-Z60 (-80...-40°C) für R23	0	1	0

Code	Parameterbeschreibung und -auswahl	Min	Max	Werk
Kreislauf 2 Parameter (nur EXD-SH2)				
2u4	Regeloptionen 0 = Standard 1 = langsam 2 = Zwischeneinstellung 3 = PID fest einstellbar	0	2	0
2u0	Kältemittel 0 = R22 1 = R134a 2 = R507 3 = R404A 4 = R407C 5 = R410A 6 = R124 7 = R744 8 = R407A 9 = R407F 10 = R23 11 = R32* 12 = R1234ze* 13 = R448A 14 = R449A 15 = R450A 16 = R513A 17 = R290* 18 = R1270* 19 = R454C* 20 = R452B* 21 = R454B* 22 = R454A* 23 = R452A 24 = R444B* 25 = R455A* 26 = R1233zde* 27 = R1234yf*	0	27	1
2uP	Drucksensor 0 = PT5N-07x 1 = PT5N-18x 2 = PT5N-30x 3 = PT5N-50x 4 = PT5N-150D 5 = PT5N-10P-FLR 6 = Ratiometrisch (Druck relativ) 7 = Ratiometrisch (Druck absolute) 8 = Modbus 9 = Drucksensor von Kreislauf 1 genutzt (1uP)	0	9	1
2Pr	Ratiometrischer Bereich (bar)	3	60	30
2ut	Ventiltyp 0 = EX4-6 1 = EX7 2 = EX8 3 = N/A 4 = N/A 5 = N/A 6 = N/A 7 = N/A 8 = N/A 9 = N/A 10 = CV4 11 = CV5-6 12 = CV7	0	12	0
2uF	Ventil-Regelungsbereich (%)	5	100	100
2uu	Start Öffnung (%)	0	100	10
2u9	Dauer Ventilöffnung bei Start (s)	0	120	5
2uL	Alarm ein „zu geringe Überheizung“ 0 = aus 1 = ein - autom. Rückstellung 2 = ein - Handrückstellung Alarm bei 0.5 K (bei Dauer > 1 min.); autom. Rückstellung sofort bei 3K	0	2	1
2u5	Überhitzungssollwert (K) Bereich = 3-30 K wenn 2uL = 1 oder 2, Bereich = 0,5-30 K wenn 2uL = 0			6
2u2	MOP Funktion 0 = aus 1 = ein	0	1	1
2u3	MOP Sättigungstemperatur (°C) Werkseinstellung entsprechend dem gewählten Kältemittel (2u0). Einstellung kann geändert werden	(siehe MOP Tabelle)		
2P9	Niederdruckalarm Regelkreis 2 0 = aus 1 = ein - autom. Rückstellung 2 = ein - Handrückstellung	0	2	0
2PA	Grenzwert für Niederdruckalarm (bar)	-0.8	17.7	0
2Pb	Niederdruckalarm Verzögerung (s)	5	199	5
2Pd	Rückstellung Niederdruckalarm (bar)	-0.5	18	0.3
2P4	Frostschutzalarm Regelkreis 2 0 = aus 1 = ein - autom. Rückstellung 2 = ein - Handrückstellung	0	2	0
2P2	Grenzwert Frostschutzalarm (°C)	-5	5	0
2P5	Alarmverzögerung Frostschutz (s)	5	199	30
2P-	Überheizungsregelung Kreislauf 2 (Kp Faktor), feste PID Display 1/10K	0.1	10	1.0
2i-	Überheizungsregelung Kreislauf 2 (Ti Faktor), feste PID	1	350	100
2d-	Überheizungsregelung Kreislauf 2 (Td Faktor), feste PID Display 1/10K	0.1	30	3.0
2uH	Alarm „zu große Überheizung“ 0 = aus 1 = ein - autom.-Rückstellung	0	1	0
2uA	Grenzwert „Zu große Überheizung“ (K)	16	40	30
2ud	Verzögerung „Zu große Überheizung“ (min)	1	15	3
2tt	Temperatursensor 0 = ECN-Nxx (-45...+40°C) / TP1-...(45...+150°C) 1 = ECN-Z60 (-80...-40°C) für R23	0	1	0

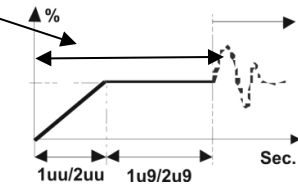
***) Warnung – Brennbares Kältemittel**
EXD-SH1/2 (EXD-PM, ECP-024) hat eine potentielle Zündquelle und entspricht nicht den ATEX Bestimmungen. Installation nur in nicht explosionsgefährdeter Umgebung. Für brennbare Kältemittel nur Ventile und Zubehörteile, die dafür zugelassen sind verwenden!

MOP Werkseinstellung (°C):

Kältem.	Min	Max	Werk	Kältem.	Min	Max	Werk	Kältem.	Min	Max	Werk
R22	-70	+50	+13	R23	-70	-18	-40	R452B	-45	+66	+25
R134a	-57	+66	+15	R32	-52	+30	+15	R454B	-40	+45	+18
R507	-75	+42	+7	R1234ze	-57	+66	+24	R454A	-57	+66	+10
R404A	-76	+42	+7	R448A	-57	+66	+12	R452A	-45	+66	+15
R407C	-66	+48	+15	R449A	-57	+66	+12	R444B	-45	+66	+15
R410A	-52	+30	+15	R450A	-57	+66	+19	R455A	-57	+66	+14
R124	-45	+91	+50	R513A	-57	+66	+13	R1233zde	-45	+66	+15
R744	-40	-4	-5	R290	-66	+48	+15	R1234yf	-52	+66	+15
R407A	-66	+48	+10	R1270	-66	+48	+15				
R407F	-66	+48	+10	R454C	-66	+48	+17				

Startverhalten (Ventil) entsprechend Werkeinstellungen:
(1uu + 1u9) / (2uu + 2u9)

- EX4/5/6 ≤ 5,3 Sekunden
- EX7 ≤ 5,6 Sekunden
- EX8 ≤ 5,9 Sekunden
- CV4 ≤ 5,3 Sekunden
- CV5/6 ≤ 5,3 Sekunden
- CV7 ≤ 6,6 Sekunden



Kopierschlüssel Funktion:

Für Serienfertigung können Konfigurationsparameter mit dem Kopierschlüssel auf weitere, identische Regler übertragen werden.

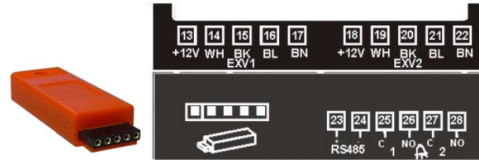
Upload (Konfigurationsparameter auf den Kopierschlüssel laden):

- Der (Referenz-)Regler muss eingeschaltet sein. Kopierschlüssel einstecken und Taste betätigen. Auf der Anzeige erscheint die Meldung "uPL", danach 5 Sekunden lang "End".
- **Hinweis:** Falls die Fehlermeldung "Err" angezeigt wird, Prozedur

wiederholen.

Download (Konfigurationsparameter vom Kopierschlüssel auf andere Regler laden):

- Am neuen Regler Versorgungsspannung ausschalten.
- Kopierschlüssel (mit den Daten des Referenzreglers) einstecken, dann Versorgungsspannung einschalten.
- Die gespeicherten Daten werden automatisch in den Speicher des neuen Reglers übertragen. Auf der Anzeige erscheint die Meldung "doL", danach 5 Sekunden lang "End".
- Nach Erlöschen der "End" Meldung startet der neue Regler. Kopierschlüssel entfernen.
- **Hinweis:** Falls die Fehlermeldung "Err" angezeigt wird, Prozedur wiederholen.



Alarmanzeige und Fehlerbehebung:

Alarm-code	Beschreibung	Abhängiger Parameter	Alarm Relais	Ventil-zustand	Fehlerlösung	Manuelle Rückstellung nach Fehlerbehebung?
1E0/2E0	Drucktransmitterstörung Kreislauf 1/2	-	ausgelöst	geschlossen	Verdrahtung prüfen und Signal messen	Nein
1E1/2E1	Temperatursensorstörung Kreislauf 1/2	-	ausgelöst	geschlossen	Verdrahtung prüfen und Sensorwiderstand messen	Nein
1П/2П-	Ventilverdrahtungsfehler Kreislauf 1/2	-	ausgelöst	-	Verdrahtung prüfen und Wicklungswiderstand messen	Nein
AFE 1/2	Frostschutz	1P4/2P4:1	ausgelöst	geschlossen	System überprüfen / Ursache des Niederdrucks ermitteln, z.B. Verdampferlast zu klein.	Nein, bei Daueranzeige
AFE 1/2	Kreislauf 1/2	1P4/2P4:2	ausgelöst	geschlossen		Ja, bei blinkender Anzeige
LSH 1/2	Kleine Überhitzung (<0,5K)	1uL/2uL:1	ausgelöst	geschlossen	Verdrahtung und Ventilfunktion überprüfen	Nein, bei Daueranzeige
LSH 1/2		1uL/2uL:2	ausgelöst	geschlossen		Ja, bei blinkender Anzeige
tAL1	Alarm unterer Temperaturwert	1tAL	ausgelöst	geschlossen	Verdrahtung und Ventilfunktion überprüfen.	Nein
tAH1	Alarm oberer Temperaturwert	1tAH	ausgelöst	geschlossen	Ventilgröße im Vergleich zur Last überprüfen.	Nein
HS1 1/2	Große Überhitzung Kreislauf 1/2	1uH/2uH:1	ausgelöst	regelt	System überprüfen	Nein
LOP 1/2	Niederdruck	1P9/2P9:1	ausgelöst	regelt	System überprüfen / Ursache des Niederdrucks ermitteln, z.B. Kältemittelverlust.	Nein, bei Daueranzeige
LOP 1/2	Kreislauf 1/2	1P9/2P9:2	ausgelöst	regelt		Ja, bei blinkender Anzeige
Err	Fehler bei Kopierfunktion	-	-	-	Kopierprozedur wiederholen	Nein
ACEr	ModBus Zeitlimit	-	-	-	ModBus Kommunikation überprüfen. Hinweise: ModBus Zeitlimit Erkennung ist nur an, wenn der Drucksensor als ModBus Type konfiguriert ist und der entsprechende Regelkreis aktiviert ist.	Nein
PFA	Netzausfall	-	ausgelöst	geschlossen	Dieser Alarm wird angezeigt, während das Ventil geschlossen ist und wenn der Regler an ein Batterie Pack oder Power Pack angeschlossen ist und das Netz ausfällt.	Nein

ACF1 oder ACF2: Alarm Code (Kreis 1/2) für "Nicht erlaubte Einstellung/Auswahl". Ein Alarm wird in folgenden Fällen angezeigt:

- Falls Drucktransmitter unterschiedlicher Bauart z.B. 4-20 mA und 0-5 V, an Kreis 1 und 2 angeschlossen sind, müssen sie von gleicher Bauart sein. In diesem Fall sind auch unterschiedliche Druckbereiche zulässig.
- Temperaturregelung ist nur mit der Ventilserie EX4-8 möglich. Falls andere Ventile gewählt sind erscheint ein Alarm.
- Ratiometrische Drucktransmitter können nicht mit R744 gewählt werden.

Hinweis: Bei mehreren Störungen wird nur der Alarm mit höchster Priorität angezeigt. Erst nach dessen Beseitigung erscheint der nächste Alarm usw. bis alle Alarme beseitigt sind. Erst dann werden die Daten wieder angezeigt.

- **Drucksensor Fehlermeldungen für ratiometrische Drucksensoren basieren auf der Erkennung von Unterbrechungen der zwei spannungsführenden Leiter, 5V bzw. Signal 0.5 - 4.5 V. Falls der Erdungsanschluss unterbrochen wird, kann kein Fehler erkannt werden. Der Regler kann aber ein falsches Signal geliefert bekommen (50%-100% höher als der entsprechende Druckwert). Diese Störung kann zur Fehlfunktion des EXD-SH1/2 und zu System-/ Verdichterschäden führen. Für den Fall ist EMERSON nicht verantwortlich.**

Service/Fehlersuche:

Fehlerbeschreibung	Ursache	Aktion
Überhitzung ist einige Grad höher oder niedriger als der eingestellte Sollwert	Fehlerhaftes Signal von Druck- oder Temperatursensoren	1- Sensor überprüfen (siehe Parameterliste) 2- Sensorkabel nicht zusammen mit stromführenden Leitungen verlegen
Überhitzung ist zu niedrig, Verdichter läuft nass	1- Ventile falsch angeschlossen 2- Defekter Sensor	1- Verdrahtung überprüfen. 2- Sensor überprüfen.
Ventil ist nicht vollständig geschlossen	1- Digitaleingang ist EIN 2- Falsche Einstellung für Parameter ut	1- Ventil schließt nur, wenn der Digitaleingang AUS ist. 2- Einstellung für Parameter ut überprüfen.
Schwankende Überhitzung	eingesetzter Verdampfer ist für höhere Überhitzung ausgelegt	Einstellwert für Überhitzung vergrößern.
Ventil öffnet, wenn EXD Befehl zum Schließen gibt und umgekehrt	Fehlerhafte Verdrahtung zwischen EXD-SH.. und Ventil	Verdrahtung gem. Verdrahtungsschema durchführen.
EX8 öffnet bei hohem Differenzdruck nicht	Falsche Einstellung für Parameter ut	Parameter ut überprüfen. (Größere Ventile erfordern ein größeres Drehmoment und eine höhere Stromstärke).
Überhitzungseinstellung verändert sich nach einigen Monaten ununterbrochenen Betriebs oder bei permanenter Überbrückung des 24 V Digitaleingangs	Ventile mit Schrittmotor erfordern Synchronisation	Digitaleingang nicht dauerhaft überbrücken. Internen Digitaleingang einmal pro Woche für 10 Sekunden unterbrechen, wenn Verdichter dauerhaft läuft.

Information générale:

Les EXD-SH1/2 sont des contrôleurs de surchauffe et/ou de température autonomes. L'EXD-SH1 est destiné à être utilisé avec une vanne de régulation électronique à moteur bipolaire, tandis que l'EXD-SH2 est conçu pour fonctionner avec deux vannes indépendantes.

Les possibilités d'utilisation sont les suivantes :

Contrôleur	Fonction Circuit 1:	Fonction Circuit 2:
EXD-SH1	Contrôle de surchauffe ou temp.	
EXD-SH2	Contrôle de surchauffe ou temp.	Contrôle de surchauffe

Notes:

Il est possible de n'utiliser qu'un circuit de l'EXD-SH2. Dans ce cas le circuit 2 doit être désactivé (paramètre C2), et les capteurs et la vanne du second circuit ne sont pas nécessaires.

La communication ModBus est décrite dans le Bulletin Technique, le sujet n'est pas couvert dans le présent document.

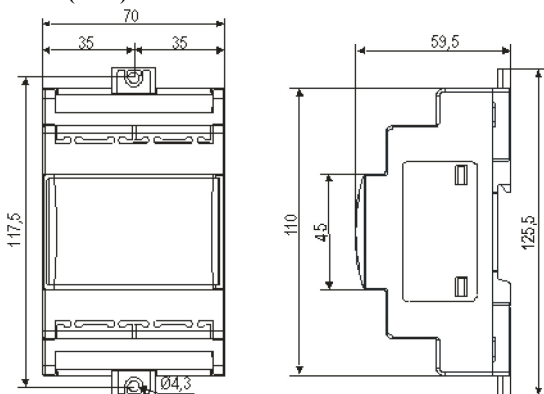
Caractéristiques techniques :

Alimentation	24 VAC/DC +10%/-10% 50/60 Hz,
Consommation électrique	EXD-SH1: 25 VA EXD-SH2: 50 VA
Raccordement électrique	Bornes à vis amovibles, taille du câble 0.14 ... 1.5 mm ²
Classe de protection	IP00
Sondes de température	ECN-N... /TP1... (température jusqu'à -45°C) ECN-Z... (température jusqu'à -80°C température ultra basse)
Température ambiante maxi	TBA
température ambiante / fonctionnement	0...+55°C
Max. distance de câble entre EXD-SH et EXD-PM	50 cm AWG 18 taille du fil (≥ 1 mm ²)
Capteurs de pression	PT5N, PT5N-FLR ou capteurs ratiométriques
Caractéristique relais sortie alarme	Charge résistive 24 V AC/DC, 1 A Charge inductive 24 V AC/DC, 0.5 A
Contact fermé :	En condition d'alarme
Contact ouvert :	Pendant fonctionnement normal et alimentation OFF
Sortie moteur pas à pas	Vannes: EX4-8 (EX4-7-FLR), CV4-7
Montage	Rail DIN standard
Marquage	

⚠ Attention:

Les EXD-SH1/2 (de même que les accessoires EXD-PM, ECP-024) sont des sources potentielles d'étincelles, et ne répondent pas aux exigences ATEX. L'installation doit se faire dans un environnement non explosif. Pour les réfrigérants inflammables, utiliser les vannes et accessoires dédiés à ce type d'application!

Dimensions (mm):

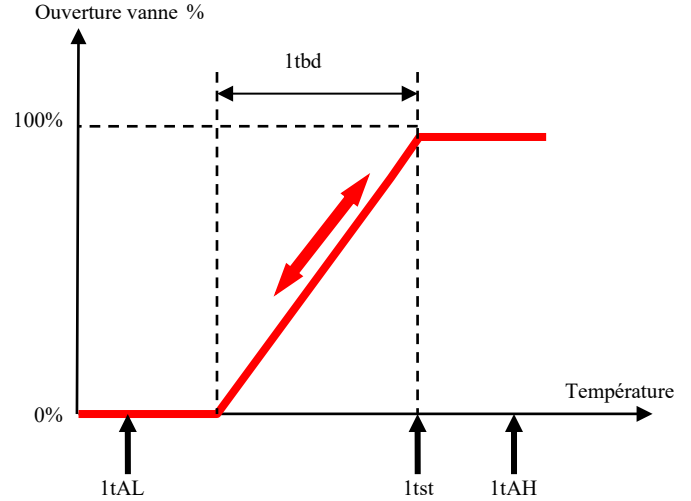


⚠ Consignes de sécurité:

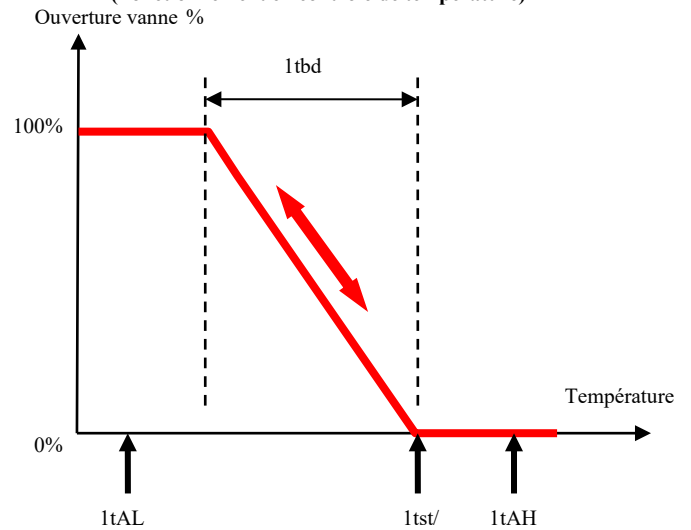
- Lisez les instructions d'installation entièrement. Tout manquement à cette consigne peut entraîner une défaillance du produit, des dégâts au système ou des lésions corporelles.
- Ce produit doit être utilisé par des personnes possédant les connaissances et compétences adéquates.
- Avant installation, déconnectez toutes les sources de tension du système.
- N'utilisez pas le système avant d'avoir effectué toutes les connexions.
- Tous les raccordements électriques doivent être conformes à la réglementation locale.
- Les entrées ne sont pas isolées. Utiliser les contacts hors tension.

- **Élimination des déchets:** Les déchets électriques et électroniques NE DOIVENT PAS être éliminés avec les autres déchets industriels. Il est de la responsabilité de l'utilisateur de les remettre à un point de collecte approprié pour un recyclage adéquat (directive WEEE 2012/19/EU). Pour plus d'informations, contacter le centre local de collecte.

**Réglage de température en sens normal
 (Fonctionnement en contrôle de température)**



**Réglage de température en sens inverse
 (Fonctionnement en contrôle de température)**



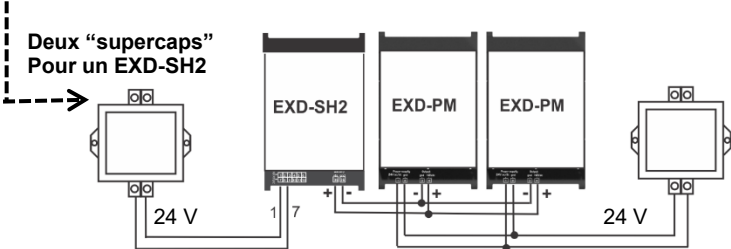
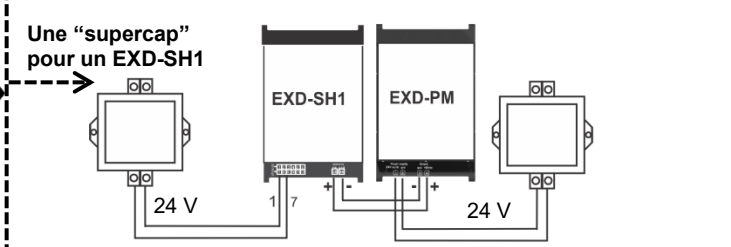
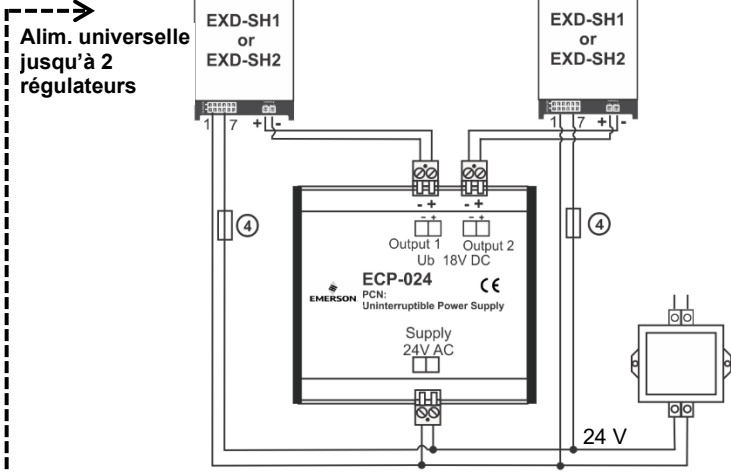
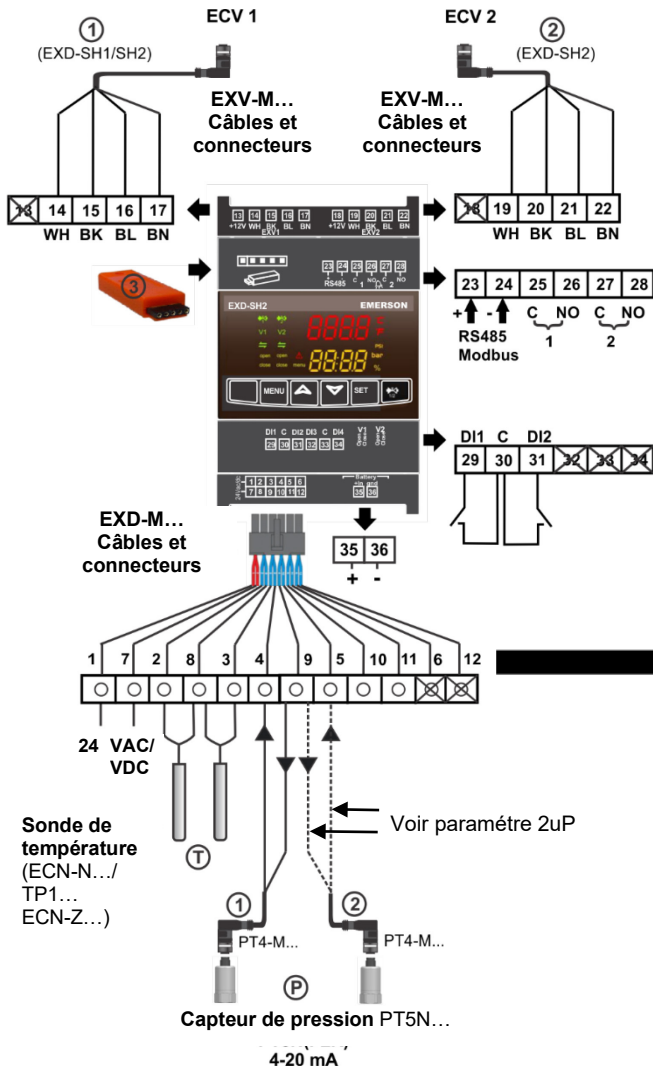
Raccordement électrique et câblage:

- Se reporter au schéma de raccordement.
- **Note:** Conserver les câbles du régulateur et des capteurs bien séparés des câbles d'alimentation. Distance minimum recommandée 30mm.
- Lors du raccordement des câbles EXV-M... (câble de la vanne) prendre en compte le code couleur suivant :
 EXV-M...: WH: Blanc; BK: Noir; BN: Brun; BL: Bleu
- Les entrées digitales DI1 (EXD-SH1/SH2) et DI2 (EXD-SH2) sont les interfaces entre l'EXD-SH1/2 et le niveau supérieur de commande si la communication Modbus n'est pas utilisée. Les entrées digitales externes doivent être libres de tout potentiel (contact sec) et doivent être utilisées en fonction de la demande du compresseur ou du système

Condition de fonctionnement	Etat entrée digitale
Compresseur démarre /fonctionne	Contact externe fermé (Start)
Compresseur stop	Contact externe ouvert (Stop)

Note: Connecter n'importe quelle entrée du EXD-SH1/2 à la tension d'alimentation entraîne des dommages irréversibles à l' EXD-SH1/2.

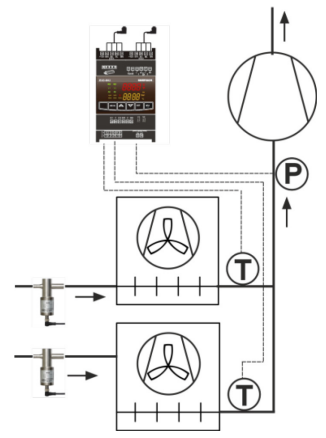
Option de raccordement: Alim (ECP-024) / "Supercap" (EXD-PM)



- ⚠ Attention:**
- Utiliser un transformateur class II 24VAC pour l'alimentation. Ne pas raccorder à la terre les lignes 24VAC. Nous recommandons l'utilisation de transformateurs séparés pour l'EXD-SH1/2 et pour un régulateur tiers afin d'éviter les possibles interférences ou les masses dans l'alimentation.
 - Si un EXD-PM est connecté, Il est impératif d'avoir deux transformateurs séparés pour l'EXD-SH1/2 et l'EXD-PM.

①	Circuit 1 (EXD-SH1/SH2)	14-17	Vanne de régulation électronique circuit 1 (ECV 1) EXV-M... couleur des fils <i>WH-blanc BK-noir BL-bleu BN-brun</i>
②	Circuit 2 (EXD-SH2)	19-22	Vanne de régulation électronique circuit 2 (ECV 2) EXV-M... couleur des fils <i>WH-blanc BK-noir BL-bleu BN-brun</i>
③	Clé de téléchargement	23 & 24	RS485 (+/-terminal)
1 & 7	Tension d'alimentation 24 VAC/DC	25 & 26	circuit 1 relais d'alarme (C, NO) – Compatible 24 VAC/DC
2 & 8	Sonde température circuit 1	27 & 28	circuit 2 relais d'alarme (C, NO) – Compatible 24 VAC/DC
3 & 8	Sonde température circuit 2	29 & 30	Entrée digitale circuit1 (DI1) – Contact sec sans tension
4 & 5	PT5N... circuit 1 & circuit 2 (fil blanc: signal: 4 - 20 mA)	31 & 30	Entrée digitale circuit 2 (DI2) – Contact sec sans tension
9	Entrée + 12 VDC pour PT5N... (fil brun)	35 & 36	Entrée alimentation de secours Batterie /Super capacité
Alternative: Capteur de pression ratiométrique (fourniture client) Attention: Lire la note en dernière page pour éviter toute erreur			
4 & 5	Capteur de pression circuit 1 & circuit 2 (signal 0.5 - 4.5 V)	④	Fusible EXD-SH1 (1A), EXD-SH2 (2A)
11	Alimentation + 5 VDC	6,12,13, 18,32-34	Non utilisé
10	GND Ground - mise à la terre		

*) Paramètre **2uP** avec No. 9 = Capteur de pression de circuit1 est utilisé



Préparation pour le démarrage:

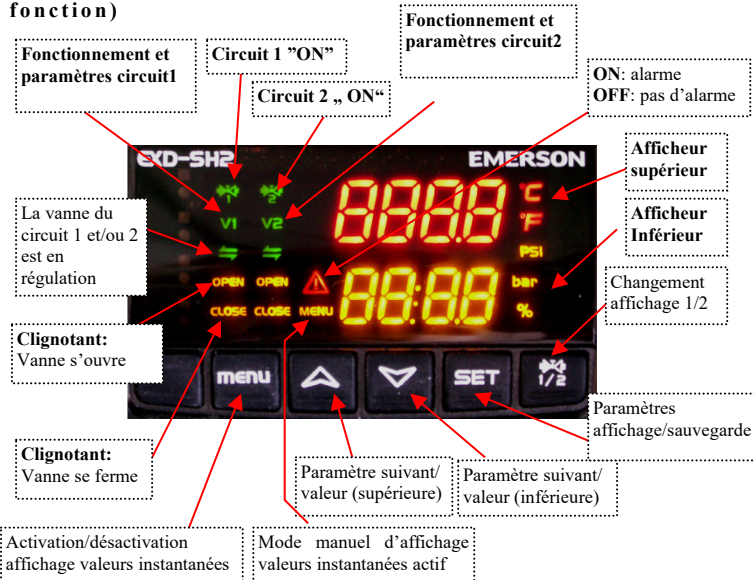
- Tirer au vide l'intégralité du circuit de réfrigération...
- **Note: Les vannes EX/CV sont livrées en position semi-ouverte. Ne pas charger le system en réfrigérant avant fermeture de la vanne.**
- Appliquer la tension d'alimentation 24V à l'EXD-SH1/2 lorsque le contact d'entrée numérique est ouvert (DI1/DI2). La vanne doit de fermer.
- Après fermeture de la vanne, procéder à la charge en réfrigérant.

Configuration des paramètres:

(à vérifier/modifier avant le démarrage)

- S'assurer que le contact d'entrée numérique (DI1/DI2) est ouvert. Ouvrir l'alimentation 24V de l'EXD-SH1/2.
- Les paramètres mot de passe (H5), type de fonction (1Fct), réfrigérant (1u0/2u0), type de capteur de pression (1uP/2uP) étalonnage de la vanne (1uF/2uF) doivent être fixés en fonction des caractéristiques du système uniquement lorsque le contact d'entrée numérique DI1/DI2 est ouvert. C'est une sécurité additionnelle destinée à éviter des dommages accidentels aux compresseurs et autres composants du système.
- Une fois les principaux paramètres sélectionnés et sauvegardés, l'EXD-SH1/2 est prêt à fonctionner. Tous les autres paramètres peuvent être modifiés à tout moment pendant les périodes d'arrêt ou de fonctionnement du système si nécessaire.

Affichage/unité de commande: (LEDs et boutons de fonction)



Description de l'affichage:

	Fonction principale sélectionnée		Contrôle de température
	Contrôle de surchauffe		
	Compresseur ON	Compresseur OFF	
Affichage supérieur	Surchauffe (K/F)	Surchauffe (K/F)	Température contrôlée (°C/F)
Affichage inférieur	Ouverture de la vanne (%)	Pression d'aspiration (bar/psig)	Ouverture vanne (%)

Note: Quand la valeur de surchauffe clignote, le régulateur est en fonction MOP.

Mode affichage valeur instantanée:

- Le régulateur affiche les valeurs d'un circuit à la fois. Pour passer d'un circuit à l'autre, presser le bouton (uniquement sur EXD-SH2).
- En pressant le bouton , le mode d'affichage valeur instantanée peut être activé/désactivé, permettant à l'opérateur de vérifier les valeurs mesurées/calculées en temps réel selon la séquence indiquée ci-dessous :

Valeur sur afficheur supérieur	Code sur afficheur inférieur
Surchauffe (K/F)	SH
Ouverture de vanne (%)	OPEn
Température d'aspiration (°C/°F)	tASP
Pression d'aspiration (bar/psig)	PEuA
Température saturée (°C/°F)	tEuA
Versions software : (0A)	SH1 or SH2
Répétition de l'affichage des valeurs	

Mode paramétrage:

La configuration des paramètres est protégée par un mot de passe numérique. Le mot de passe par défaut est "12". Pour entrer dans le paramétrage:

- Presser simultanément les boutons et pendant plus de 5 secondes.
- Un "0" clignotant est affiché en haut et "PAS" en bas.
- Presser jusqu'à ce que "12" soit affiché (mot de passe).
- Presser pour confirmer le mot de passe.
- Presser ou pour afficher le code du paramètre (voir table des codes paramètre) qui doit être modifié.
- Presser pour confirmer le code choisi.
- Presser ou pour augmenter ou diminuer la valeur.
- Presser pour confirmer temporairement la nouvelle valeur. La valeur choisie clignote plusieurs fois et l'affichage propose le code paramètre accessible suivant.
- Répéter la procédure pour les paramètres suivants si nécessaire.

Pour sortir et sauvegarder les nouveaux réglages:

- Lorsque tous les paramètres sont modifiés comme souhaité, presser pour sauvegarder les nouveaux paramètres et sortir du mode réglage.

Pour sortir et annuler les nouveaux réglages :

- Presser et pour annuler les modifications effectuées.
- Une autre méthode pour sortir sans sauvegarder les nouveaux paramètres est de ne presser aucun bouton pendant au moins 120 secondes (TIME OUT).
- **Note: En mode paramétrage, le régulateur affichera le code paramètre sur l'affichage inférieur, et la valeur du paramètre sur l'affichage supérieur.**

Fonctions manuelles spéciales : (Restauration, annulation)

- Presser simultanément et pendant au moins 5 secondes.
- Un "0" clignotant est affiché.
- Presser jusqu'à ce que "12" soit affiché; (ou le mot de passe si celui par défaut a été modifié).
- Presser pour confirmer le mot de passe.
- Sélectionner la fonction spéciale comme expliqué dans le mode paramétrage

Les fonctions spéciales sont :

Valeur affichée	Code
Réinitialisation des paramètres usine	-Fdt
Annulation des alarmes (manuel slmt)	ALrr

- La valeur par défaut de chaque variable est 0. En la fixant à 1, on actionne la fonction correspondante.
- La réinitialisation des paramètres usine (-Fdt) est possible lorsque l'entrée numérique DI1/DI2 est ouverte.

Manœuvre manuelle de la vanne (service / maintenance):

- Presser pendant plus de 5 secondes.
- Sélectionner, modifier et sauvegarder les paramètres comme détaillé dans le mode paramétrage.

Code	Description du paramètre	Min	Max	Réglage usine	Régl. choisi
1Ho	Mode fonctionnement manuel; circuit 1 0 = désactivé 1 = Autorisé	0	1	0	
1HP	Ouverture de la vanne (%)	0	100	0	
2Ho	Mode fonctionnement manuel; circuit 2 0 = désactivé 1 = autorisé	0	1	0	
2HP	Ouverture de la vanne (%)	0	100	0	

Note: Pendant le fonctionnement manuel, les alarmes telles que « surchauffe trop basse » sont désactivées. Il est recommandé de surveiller le fonctionnement du système lorsque le régulateur est en mode manuel. Le mode manuel est réservé aux opérations de maintenance ou à un fonctionnement particulier temporaire. Une fois ces opérations terminées, remettre les paramètres 1Ho et 2Ho à 0, afin que le régulateur régule à nouveau automatiquement les vannes en fonction des points de consigne choisis.

Liste des paramètres s'affichant successivement en pressant sur le bouton

Code	Description du paramètre	Min	Max	Regl. usine
H5	Mot de passe	1	1999	12
Adr	Adresse ModBus	1	127	1
br	Débit Modbus en baud	0	1	0
PAr	Parité Modbus	0	1	0
-C2	Circuit 2 de EXD-SH2 0 = désactivé 1 = Activé	0	1	1
-uC	Unités 0 = °C, K, bar 1 = F, psig	0	1	0
Circuit 1 - Paramètres				
1Fct	Fonction 0 = Contrôle de surchauffe 1 = Contrôle température sens normal 2 = contrôle température en sens inversé	0	2	0
1u4	Mode de régulation 0 = standard 1 = lent 2 = contrôle intermédiaire 3 = PID fixe réglable	0	2	0
1u0	Réfrigérant 0 = R22 1 = R134a 2 = R507 3 = R404A 4 = R407C 5 = R410A 6 = R124 7 = R744 8 = R407A 9 = R407F 10 = R23 11 = R32* 12 = R1234ze* 13 = R448A 14 = R449A 15 = R450A 16 = R513A 17 = R290* 18 = R1270* 19 = R454C* 20 = R452B* 21 = R454B* 22 = R454A* 23 = R452A 24 = R444B* 25 = R455A* 26 = R1233zde* 27 = R1234yf*	0	27	1
1uP	Capteur de pression 0 = PT5N-07x 1 = PT5N-18x 2 = PT5N-30x 3 = PT5N-50x 4 = PT5N-150D 5 = PT5N-10P-FLR 6 = ratiométrique (val. relat.) 7 = ratiométrique (val.absolue) 8 = Modbus	0	8	1
1Pr	Ratio metric - plage (bar)8	3	60	30
1ut	Vanne 0 = EX4-6 1 = EX7 2 = EX8 3 = N/A 4 = N/A 5 = N/A 6 = N/A 7 = N/A 8 = N/A 9 = N/A 10 = CV4 11 = CV5-6 12 = CV7	0	12	0
1uF	Limitation d'ouverture de vanne (%)	5	100	100
1uu	Ouverture au démarrage (%)	0	100	10
1u9	Temps de démarrage (s)	0	120	5
1uL	Alarme surchauffe basse 0 = désactivé 1 = activé auto reset 2 = activé reset manuel Alarme à 0.5K (si pendant plus d'1 min.); Alarme s'annule à 3K	0	2	1
1u5	Consigne de surchauffe (K) Plage = 3-30K si paramètre 1uL = 1 ou 2, Plage = 0.5-30K si paramètre 1uL = 0			6
1u2	Fonction MOP 0 = désactivée 1 = activée	0	1	1
1u3	MOP temp saturée (°C) réglage usine selon réfrigérant sélectionné (1u0). La valeur par défaut peut être modifiée	(voir table MOP)		
1P9	Mode d'alarme basse pression 0 = désactivé 1 = activé auto-reset 2 = activé reset manuel	0	2	0
1PA	Coupure alarme basse pression (bar)	-0.8	17.7	0
1PB	Tempo d'alarme basse pression (s)	5	199	5
1Pd	Réarmement alarme basse pression (bar)	-0.5	18	0.3
1P4	Mode délai alarme givrage 0 = désactivé 1 = activé auto-reset 2 = activé reset manuel	0	2	0
1P2	Point de coupure alarme givrage (°C)	-5	5	0
1P5	Tempo d'alarme givrage (s)	5	199	30
1P-	Contrôle surchauffe circuit1 (facteur Kp) Affichage 1/10K	0.1	10	1.0
1i-	Contrôle surchauffe circuit1 (facteur Ti)	1	350	100
1d-	Contrôle surchauffe circuit1 (facteur Td) Affichage 1/10K	0.1	30	3.0
1uH	Mode d'alarme surchauffe haute 0 = désactivé 1 = activé auto reset;	0	1	0
1uA	Consigne alarme surchauffe haute(K)	16	40	30
1ud	Tempo alarme surchauffe haute (min)	1	15	3
1tSt	Point de consigne contrôle de température (°C)	-80	50	4
1tbd	Plage de température (K)	1	10	2
1tAF	Mode d'alarme température 0 = désactivé 1 = activé	0	1	0
1tAL	Consigne alarme température mini (°C)	-50	50	0
1tdL	Tempo alarme température mini (min)	1	10	3
1tAH	Consigne alarme température maxi (°C)	-50	50	15
1tdH	Tempo alarme température maxi (min)	1	10	3
1tt	Type sonde de température 0 = ECN-Nxx (-45...+40°C) / TP1...(-45...+150°C) 1 = ECN-Z60 (-80...-40°C) pour R23	0	1	0

Code	Description du paramètre	Min	Max	Regl. usine
Circuit 2 - Paramètres (EXD-SH2 seulement)				
2u4	Mode de régulation 0 = standard 1 = lent 2 = contrôle intermédiaire 3 = PID fixe réglable	0	2	0
2u0	Refrigérant 0 = R22 1 = R134a 2 = R507 3 = R404A 4 = R407C 5 = R410A 6 = R124 7 = R744 8 = R407A 9 = R407F 10 = R23 11 = R32* 12 = R1234ze* 13 = R448A 14 = R449A 15 = R450A 16 = R513A 17 = R290* 18 = R1270* 19 = R454C* 20 = R452B* 21 = R454B* 22 = R454A* 23 = R452A 24 = R444B* 25 = R455A* 26 = R1233zde* 27 = R1234yf*	0	27	1
2uP	Capteur de pression 0 = PT5N-07x 1 = PT5N-18x 2 = PT5N-30x 3 = PT5N-50x 4 = PT5N-150D 5 = PT5N-10P-FLR 6 = ratiométrique (val. relat.) 7 = ratiométrique (val.absolue) 8 = Modbus 9 = Capteur de pression de circuit1 est utilisé (1uP)	0	9	1
2Pr	Ratio metric - plage (bar)	3	60	30
2ut	Vanne 0 = EX4-6 1 = EX7 2 = EX8 3 = N/A 4 = N/A 5 = N/A 6 = N/A 7 = N/A 8 = N/A 9 = N/A 10 = CV4 11 = CV5-6 12 = CV7	0	12	0
2uF	Limitation d'ouverture de vanne (%)	5	100	100
2uu	Ouverture au démarrage (%)	0	100	10
2u9	Temps de démarrage (s)	0	120	5
2uL	Alarme surchauffe basse 0 = désactivé 1 = activé auto reset 2 = activé reset manuel Alarme à 0.5K (si pendant plus d'1 min.); Alarme s'annule à 3K	0	2	1
2u5	Consigne de surchauffe (K) Plage = 3-30K si paramètre 2uL = 1 ou 2, Plage = 0.5-30K si paramètre 2uL = 0			6
2u2	Fonction MOP 0 = désactivé 1 = activé	0	1	1
2u3	MOP température saturée (°C) Réglage usine selon réfrigérant sélectionné (2u0). La valeur par défaut peut être modifiée	(voir table MOP)		
2P9	Mode d'alarme basse pression 0 = désactivé 1 = activé auto-reset 2 = activé reset manuel	0	2	0
2PA	Coupure alarme base pression (bar)	-0.8	17.7	0
2Pb	Tempo alarme basse pression (s)	5	199	5
2Pd	Réarmement alarme basse pression (bar)	-0.5	18	0.3
2P4	Mode délai d'alarme givrage 0 = désactivé 1 = activé auto-reset 2 = activé reset manuel	0	2	0
2P2	Point de coupure alarme givrage (°C)	-5	5	0
2P5	Tempo d'alarme givrage (s)	5	199	30
2P-	Contrôle surchauffe circuit 2 (facteur Kp), PID fixe Affichage 1/10K	0.1	10	1.0
2i-	Contrôle surchauffe circuit2 (facteurTi), PID fixe	1	350	100
2d-	Contrôle surchauffe circuit2 (facteur Td), PID fixe Affichage 1/10K	0.1	30	3.0
2uH	Mode d'alarme surchauffe haute 0 = désactivé 1 = activé auto-reset	0	1	0
2uA	Consigne alarme surchauffe haute (K)	16	40	30
2ud	Tempo alarme surchauffe haute (min)	1	15	3
2tt	Type sonde de température 0 = ECN-Nxx (-45...+40°C) / TP1...(-45...+150°C) 1 = ECN-Z60 (-80...-40°C) pour R23	0	1	0

*** Attention - réfrigérants inflammables: Les EXD-SH1/2 (de même que les accessoires EXD-PM, ECP-024) sont des sources potentielles d'étincelles, et ne répondent pas aux exigences ATEX. L'installation doit se faire dans un environnement non explosif. Pour les réfrigérants inflammables, utiliser les vannes et accessoires dédiés à ce type d'application!**

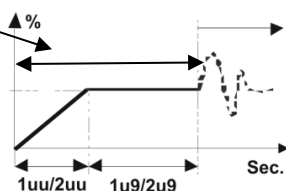
Valeurs MOP par défaut:

R...	Min.	Max. (C°)	R...	Min.	Max. (C°)	R...	Min.	Max. (C°)
R22	-70	+50	R23	-70	-18	R452B	-45	+66
R134a	-57	+66	R32	-52	+30	R454B	-40	+45
R507	-75	+42	R1234ze	-57	+66	R454A	-57	+66
R404A	-76	+42	R448A	-57	+66	R452A	-45	+66
R407C	-66	+48	R449A	-57	+66	R444B	-45	+66
R410A	-52	+30	R450A	-57	+66	R455A	-57	+66
R124	-45	+91	R513A	-57	+66	R1233zde	-45	+90
R744	-40	-4	R290	-66	+48	R1234yf	-52	+66
R407A	-66	+48	R1270	-66	+48			
R407F	-66	+48	R454C	-66	+48			

Comportement au démarrage avec les valeurs usine par défaut:

$$(1u1 + 1u9) / (2u1 + 2u9)$$

- EX4/5/6 ≤ 5.3 Secondes
- EX7 ≤ 5.6 Secondes
- EX8 ≤ 5.9 Secondes
- CV4 ≤ 5.3 Secondes
- CV5/6 ≤ 5.3 Secondes
- CV7 ≤ 6.6 Secondes



Clé de téléchargement-Utilisation :

Pour la production en série, la clé de téléchargement autorise le chargement de la configuration paramétrée à l'identique sur toutes les machines.

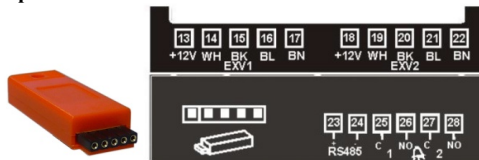
Procédure de chargement (stockage de la configuration sur la clé):

- Insérer la clé sur le premier régulateur référence lorsqu'il est « ON » et presser le bouton ; le message "uPL" apparaît suivi du message "End" pendant 5 secondes.

Note: Si le message "Err" apparaît, l'opération a échoué. Répéter alors la procédure.

Procédure de déchargement (copie des paramètres depuis la clé sur un autre régulateur):

- Couper l'alimentation du régulateur.
- Introduire la clé (contenant le paramétrage à copier) sur le nouveau régulateur et remettre l'alimentation électrique. Les paramètres stockés sur la clé seront automatiquement transférés sur la mémoire du nouveau régulateur; Le message "doL" apparaît suivi du message "End" pendant 5 secondes.
- Le nouveau régulateur est prêt à fonctionner suivant le nouveau paramétrage dès que le message "End" a disparu.
- Retirer la clé.
- **Note:** Si le message "Err" apparaît, l'opération a échoué. Répéter alors la procédure.



Gestion des messages d'alarme ou d'erreur:

Code alarme	Description	Paramètre concerné	Relais alarme	Vanne	Que faire?	Besoin d'annuler l'alarme après résolution?
1E0/2E0	Erreur capteur pression circuit 1/2	-	Activé	Fermée	Vérifier le câblage, la connexion et mesurer le signal.	Non
1E1/2E1	Erreur sonde température circuit 1/2	-	Activé	Fermée	Vérifier le câblage, la connexion et mesurer la résistance de la sonde.	Non
1P1/2P1	Erreur connexion électrique vanne Circuit 1/2	-	Activé	-	Vérifier le câblage, et mesurer la résistance d'enroulement.	Non
AFE 1/2	Protection anti gel circuit 1/2	1P4/2P4:1	Activé	Fermée	Vérifier la cause d'une basse pression du système, telle une charge insuffisante sur l'évaporateur.	Non si il est fixe
AFE 1/2		1P4/2P4:2	Activé	Fermée		Oui si il clignote
LSH 1/2	Surchauffe basse (<0,5K)	1uL/2uL:1	Activé	Fermée	Vérifier le câblage et le fonctionnement de la vanne.	Non si il est fixe
LSH 1/2		1uL/2uL:2	Activé	Fermée		Oui si il clignote
tAL1	Alarme temperature min.	1tAL	Activé	Fermée	Vérifier le câblage, le fonctionnement de la vanne et la charge.	Non
tAH1	Alarme temperature max.	1tAH	Activé	Fermée		Non
HSH 1/2	Surchauffe haute circuit 1/2	1uH/2uH:1	Activé	En régulation	Vérifier le système.	Non
LOP 1/2	Basse pression circuit 1/2	1P9/2P9:1	Activé	En régulation	Vérifier la cause d'une basse pression du système telle une perte de réfrigérant.	Non si il est fixe
LOP 1/2		1P9/2P9:2	Déclenché	En régulation		Oui si il clignote
Err	Echec téléchargement	-	-	-	Répéter la procédure de téléchargement.	Non
ACEr	Modbus hors délai	-	-	-	Vérifier la communication Modbus Note: La détection d'alarme Modbus (ACEr) est active uniquement quand le type de capteur de pression est configuré pour le Modbus et que le circuit est en demande.	Non
PFA	Alarme défaut alimentation	-	Activé	Fermée	Quand le régulateur est connecté à la batterie et l'alimentation interrompue, ce code alarme sera affiché pendant la fermeture de la vanne.	Non

ACF1 ou ACF2: code alarme (circuit1/2) pour "configuration/sélection interdite"

L'alarme sera affichée dans les cas suivants:

- Si les 2 circuits de l'EXD-SH2 sont reliés à des type de capteurs différents, c.a.d. 4-20 mA et 0-5 V. Il est impératif que les deux circuits soient connectés à des capteurs de pression de même technologie.
- La fonction contrôle de température est possible uniquement avec la série EX4-8. Si d'autres vannes sont sélectionnées, l'alarme ACF sera affichée.
- Les capteurs de pression ratiométriques ne peuvent pas être choisis avec le R744.

Notes:

- Lorsque plusieurs alarmes sont présentes simultanément, elles sont affichées les unes après les autres sur l'afficheur inférieur.
- L'erreur « capteur de pression » dans le cas ou des capteurs ratiométriques 0-5 V d'un fournisseur tiers sont utilisés, est basée sur la détection de l'interruption de 2 câbles (5V et signal 0.5 - 4.5 V). Si uniquement le troisième câble (terre) est coupé ou interrompu, aucune erreur ne peut être détectée, et le régulateur recevra un signal erroné 50% - 100% supérieur. L'erreur de signal entraîne un mauvais fonctionnement du régulateur EXD SH1/2 pouvant entraîner des dommages au compresseur. Emerson n'est pas responsable dans ce cas.

Vérification Service / recherche de panne:

Symptôme	Cause	Action
La surchauffe est supérieure ou inférieure de quelques degrés au point nominal.	Signal incorrect de la pression ou de la température	1- Vérifier le capteur et sonde 2- Vérifier distance entre câble capteur / sonde et ceux de puissance
Surchauffe trop faible, compresseur fonctionnant en régime humide	1- Câblage incorrect de l'EXV 2- Sonde défectueuse	1- Vérifier le câblage 2- Vérifier la sonde
La vanne n'est pas entièrement fermée	1- Le contact marche est ON 2- Mauvais réglage du paramètre 'ut'	1- La vanne ferme seulement lorsque le contact marche est OFF 2- Vérifier le réglage du paramètre 'ut'
Surchauffe instable (pompage)	Evaporateur conçu pour fonctionner avec une surchauffe plus élevée	Augmenter le point de consigne de la surchauffe
La vanne s'ouvre alors que la commande du EXD demande sa fermeture et vice versa	Erreur de câblage entre la vanne et l'EXD-SH..	Corriger le câblage
L'EX8 ne s'ouvre pas pour un fort différentiel des pressions	Mauvais réglage du paramètre 'ut'	Vérifier le réglage du paramètre 'ut'. (ce modèle de vanne nécessite un couple plus important donc un courant plus important)
Le point de consigne de surchauffe dérive après plusieurs mois de fonctionnement continu de la machine ou fermeture permanente du contact de marche (24 V)	Le moteur pas à pas de la vanne nécessite une synchronisation	Ne pas ponter l'entrée digitale de façon permanente. Ouvrir ce contact au moins une fois par semaine pendant 10 sec même si le compresseur tourne en permanence

Informacje ogólne:

Sterowniki EXD-SH1/2 są uniwersalnymi regulatorami przegrzania lub temperatury. EXD-SH1 jest przeznaczony do sterowania jednym zaworem rozprężnym z dwubiegunowym silnikiem krokowym podczas, gdy EXD-SH2 może sterować niezależnie dwoma elektrycznymi zaworami regulacyjnymi z silnikiem dwubiegunowym.

Poniżej przedstawiona jest tabela możliwych zastosowań:

Sterownik	Obieg 1: funkcja główna	Obieg 2: funkcja główna
EXD-SH1	Sterowania przegrzaniem lub temperaturą	
EXD-SH2	Sterowania przegrzaniem lub temperaturą	Sterowania przegrzaniem

Uwaga:

Istnieje możliwość pracy z jednym obiegiem w sterowniku EXD-SH2. W takim przypadku obieg 2 należy dezaktywować (parametr C2) Czujniki oraz zawór dla tego obiegu nie są konieczne w takiej sytuacji.

Komunikacja ModBus jest opisana w biuletynie technicznym i nie jest przedmiotem niniejszej instrukcji.

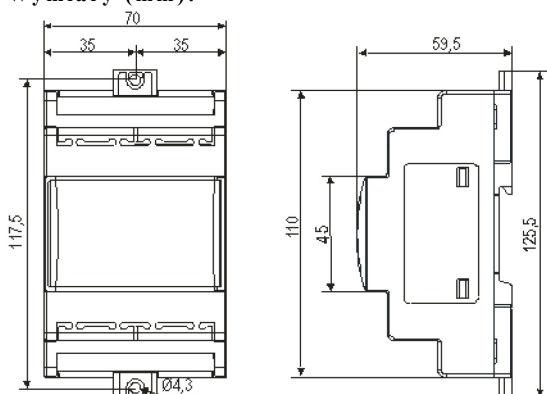
Dane techniczne:

Napięcie zasilania:	24 VAC/DC +10%/-10% 50/60 Hz
Pobór mocy	EXD-SH1: 25 VA EXD-SH2: 50 VA
Złącze wtykowe	Wyjmowane zaciski śrubowe, przekrój przewodów 0.14 ... 1.5 mm ²
Stopień ochrony:	IP00
Czujniki temperatury	ECN-N... / TP1... (zakres temperatur do -45°C) ECN-Z... (zakres temperatur do -80°C ultra niskie temperatury)
Dopuszczalne temperatury pracy / otoczenia	0...+55°C
Maksymalna odległość pomiędzy EXD-SH oraz EXD-PM	50 cm Przewód AWG 18 o przekroju (≥ 1 mm ²)
Przetwornik ciśnienia	PT5N, PT5N-FLR lub inne proporcjonalne
Obciążalność przekaźnika alarmowego	Obciążenie rezystancyjne 24 V AC/DC, 1 A Obciążenie indukcyjne 24 V AC/DC, 0.5 A
Przełącznik zamknięty:	W warunkach alarmu
Przełącznik otwarty:	W trakcie normalnej pracy lub odłączenia zasilania
Zawory krokowe	Zawory EX4-8 (EX4-7-FLR), CV4-7
Montaż	Standardowa szyna DIN
Oznaczenie:	

⚠ Ostrzeżenie:

EXD-SH1/2 (EXD-PM, ECP-024) ma potencjalne źródło zapłonu i nie spełnia wymagań ATEX. Instalacja tylko w środowisku niewybuchowym. W przypadku łatwopalnych czynników chłodniczych używaj wyłącznie zaworów i akcesoriów do niego zatwierdzonych!

Wymiary (mm):

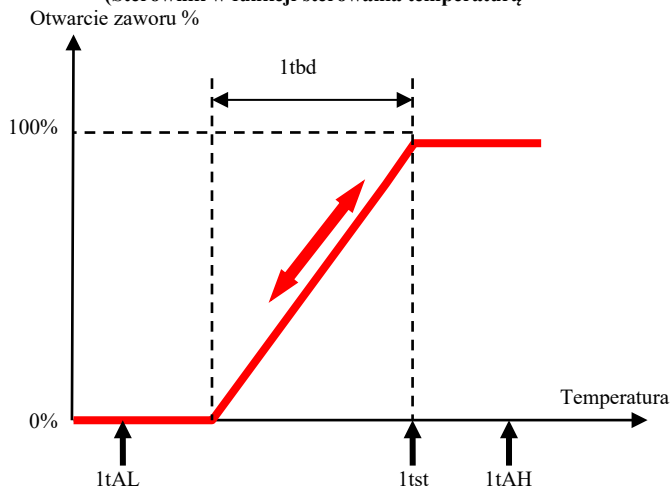


Instrukcje bezpieczeństwa:

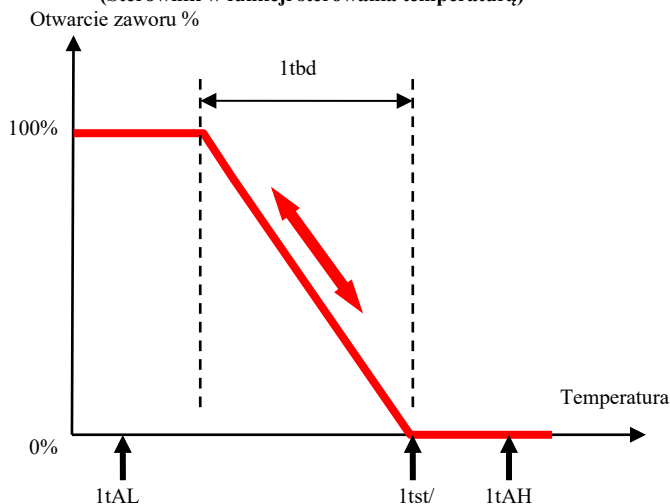
- Dokładnie przeczytać instrukcję obsługi. Nieprzestrzeżenie może spowodować awarię urządzenia, uszkodzenie instalacji lub obrażenia ciała.
- Produkt przeznaczony jest do użytku przez osoby posiadające odpowiednią wiedzę i kwalifikacje.
- Przed rozpoczęciem instalacji lub czynności obsługi odłączyć zasilanie od systemu i urządzenia.
- Nie włączać systemu przed podłączeniem wszystkich przewodów.

- Nie podłączać zasilania do sterownika przed podłączeniem wszystkich przewodów.
- Wszystkie połączenia elektryczne muszą być zgodne z lokalnymi przepisami.
- Wejścia nie są izolowane, należy stosować styki bezpotencjałowe
- **Usuwanie:** Zużytego sprzętu elektrycznego i elektronicznego nie wolno wyrzucać razem z odpadami komunalnymi. Obowiązkiem użytkownika jest przekazać go do wyznaczonego punktu zbiórki w celu bezpiecznego recyklingu zużytego sprzętu elektrycznego i elektronicznego (dyrektywa WEEE 2012/19/EU). W celu uzyskania dalszych informacji, skontaktuj się z lokalnym centrum recyklingu.

Nastawa temperatury w trybie normalnym (Sterownik w funkcji sterowania temperaturą)



Nastawa temperatury w trybie odwróconym (Sterownik w funkcji sterowania temperaturą)



Połączenia elektryczne i okablowanie:

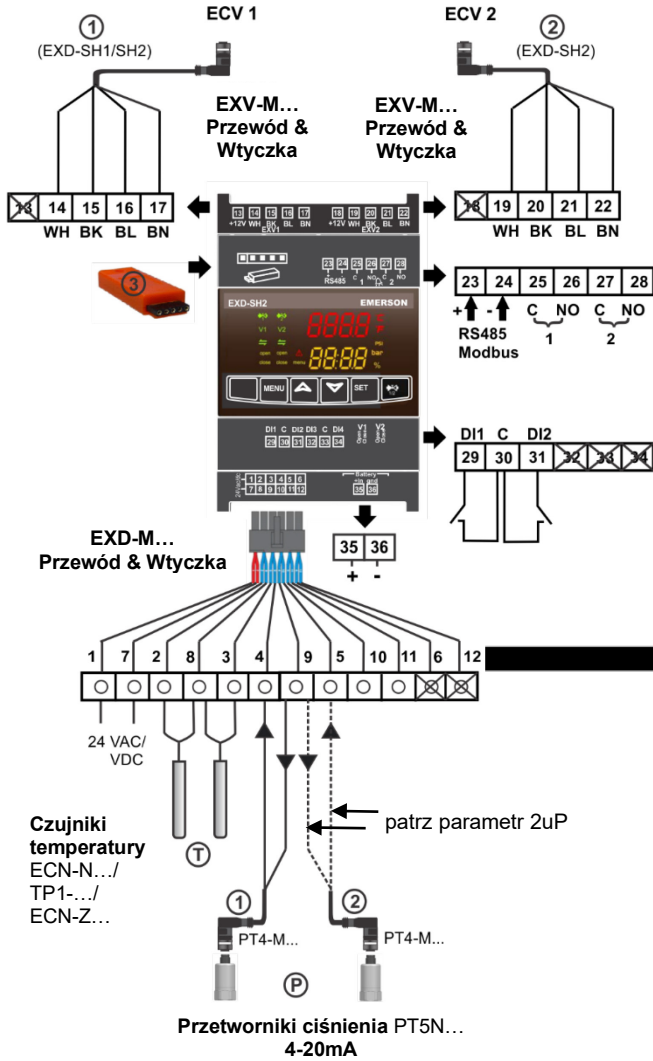
- Zapoznaj się ze schematem montażowym połączeń elektrycznych.
- **Uwaga:** Separuj przewody zasilające od sterownika i czujników. Minimalna rekomendowana odległość 30mm.
- Przestrzegaj następujących codów kolorów przewodów podczas podłączania EXV-M... (wtyczki elektryczne zaworów):
EXV-M...: WH: biały; BK: czarny; BN: brązowy; BL: niebieski

- Wejścia cyfrowe DI1 (EXD-SH1/SH2) oraz DI2 (EXD-SH2) są powiązane pomiędzy EXD-SH1/2 i sterownikiem nadrzędnym jeżeli komunikacja Modbus nie jest stosowana. Zewnętrzne wejścia cyfrowe muszą być bezpotencjałowe (styki suche) i powinny być użytkowane zgodnie z warunkami pracy systemu / sprężarki.

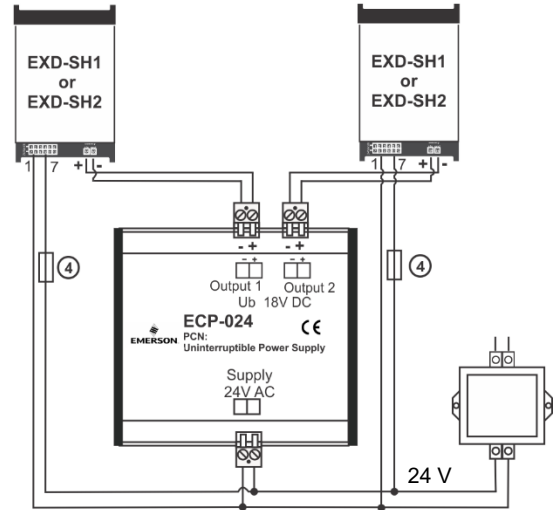
Warunki pracy	Status wejścia cyfrowego
Start / praca sprężarki	Zewnętrzny kontakt zamknięty (Start)
Zatrzymanie sprężarki	Zewnętrzny kontakt otwarty (Stop)

Uwaga: Podłączenie wejść sterownika EXD-SH1/2 do napięcia zasilania spowoduje nieodwracalne uszkodzenie sterownika EXD-SH1/2.

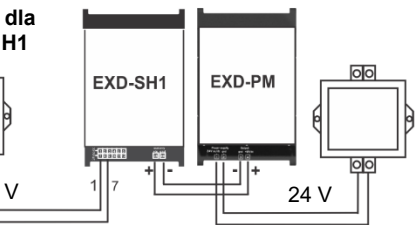
Opcja połączeń: UPS (ECP-024) /super kondensator (EXD-PM)



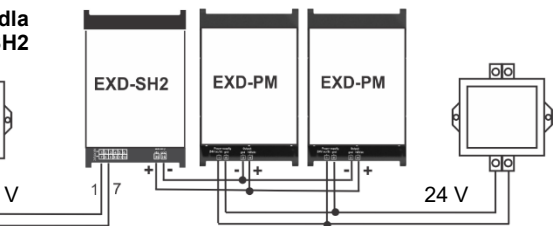
UPS dla max. dwóch sterowników



Jeden EXD-PM dla jednego EXD-SH1



Dwa zEXD-PM dla jednego EXD-SH2

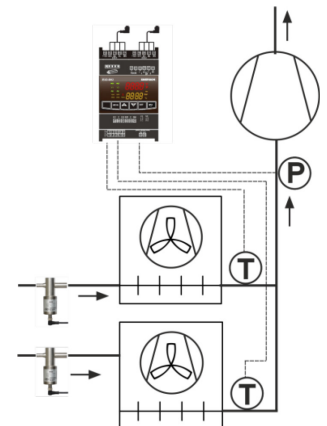


Ostrzeżenie:

- Do zasilania 24 VAC należy stosować transformator klasy II. Nie uziemiać linii 24 VAC. Rekomendujemy stosowanie oddzielnych transformatorów do zasilania sterowników EXD-SH1/2 oraz do zasilania innych sterowników w systemie w celu uniknięcia ewentualnych zakłóceń w zasilaniu lub problemów z uziemieniem. .
- W przypadku stosowania EXD-PM obowiązkowe są indywidualne transformatory dla EXD-SH... oraz EXD-PM.

①	Obieg 1 (EXD-SH1/SH2)	14-17	Elektryczny zawór regulacyjny obiegu 1 (ECV 1) EXV-M... Wtyczka: kolory przewodów WH-biały BK-czarny BL-niebieski BN-brązowy
②	Obieg 2 (EXD-SH2)	19-22	Elektryczny zawór regulacyjny obiegu 2 (ECV 2) EXV-M Wtyczka: kolory przewodów WH-biały BK-czarny BL-niebieski BN-brązowy
③	Klucz zapisu / odczytu parametrów	23 a 24	RS485 (+/-złącze)
1 a 7	Napięcie zasilania 24 VAC/DC	25 a 26	Przełącznik alarmowy obiegu 1 (C, NO) – dla napięcia 24 VAC/DC
2 a 8	Czujnik temperatury obiegu 1	27 a 28	Przełącznik alarmowy obiegu 2 (C, NO) – dla napięcia 24 VAC/DC
3 a 8	Czujnik temperatury obiegu 2	29 a 30	Wejście cyfrowe obiegu 1 (DI1) – styk bezpotencjałowy
4 a 5	PT5N... obiegu 1 & obiegu 2 (biały przewód: sygnał 4 – 20 mA)	31 a 30	Digital input circuit 2 (DI2) – Dry contact, potential free
9	Napięcie wejściowe + 12 VDC dla PT5N... (brązowy przewód)	35 a 36	Przyłącze akumulatora / super kondensatora
Inne alternatywne przetworniki:			
<i>Ostrzeżenie: Przeczytać informację na ostatniej stronie odnośnie limitów błędów</i>			
4 a 5	Przetwornik ciśnienia obiegu 1 & obiegu 2 (sygnał 0.5 - 4.5 V)	④	Bezpiecznik EXD-SH1 (1A), EXD-SH2 (2A)
11	Napięcie wejściowe + 5 VDC	6,12,13, 18,32-34	Nie używane (przyłącza na EXD-SH12)
10	GND zero		

*) Parametr 2uP z num. 9 = Czujnik ciśnienia obiegu 1 jest używany



Przygotowanie do uruchomienia:

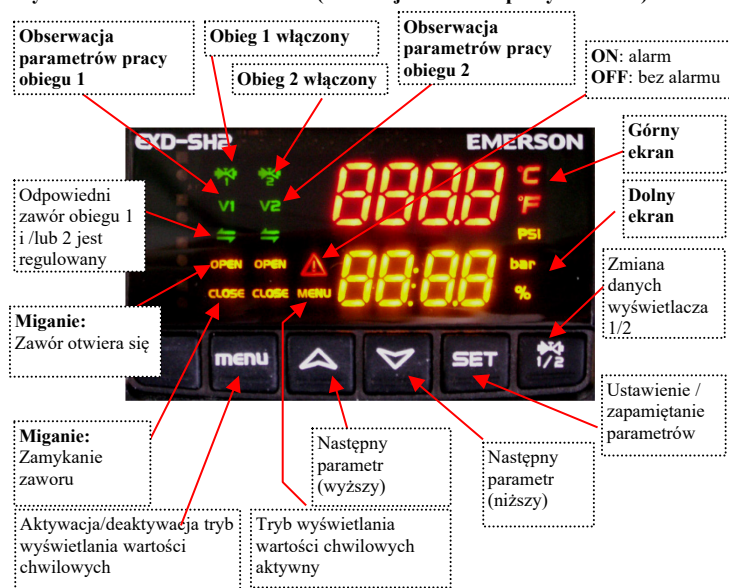
- Wypróżnić układ chłodniczy.
- **Uwaga:** Zawory EX/CV są dostarczane w pozycji częściowo otwartej. Nie napełniać instalacji przed zamknięciem zaworów.
- Doprowadzić zasilanie 24V do EXD-SH1/2 podczas gdy wejście cyfrowe (DI1/DI2) jest otwarte. Zawór zostanie zamknięty.
- Po zamknięciu zaworu napełnij układ czynnikiem chłodniczym.

Ustawienie parametrów:

(sprawdzić lub zmodyfikować przed uruchomieniem systemu)

- Upewnij się, że wejście cyfrowe (DI1/DI2) jest otwarte. Doprowadź zasilanie 24V do EXD-SH1/2.
- Parametry: hasła (H5), rodzaj funkcji (1Fct), typ czynnika (1u0/2u0), typ przetwornika ciśnienia (1uP/2uP) i skalowanie zaworu (1uF/2uF) należy ustawić zgodnie z wymaganiami systemu i tylko, jeżeli wejście cyfrowe DI1/DI2 jest otwarte. Jest to dodatkowe zabezpieczenie przed przypadkowym sprężarką lub innych elementów systemu.
- Po ustawieniu i zapisie podstawowych parametrów sterownik EXD-SH1/2 jest gotowy do pracy. Wszystkie pozostałe parametry mogą być modyfikowane w dowolnym momencie pracy lub postoju systemu.

Wyświetlacz/klawiatura: (funkcje LED i przycisków)



Opis wyświetlacza:

	Wybór funkcji głównej		
	Sterowanie przegrzaniem		Sterowanie temperaturą
	Sprężarka włączona	Sprężarka wyłączona	
Dane na górnym ekranie	Przegrzanie (K/F)	Przegrzanie (K/F)	Kontrolowana temperatura (°C/F)
Dane na dolnym ekranie	Otwarcie zaworu (%)	Ciśnienie ssania (bar/psig)	Otwarcie zaworu (%)

Uwaga: jeżeli wartość przegrzania miga to zawór jest funkcji MOP.

Tryb wyświetlania wartości chwilowych:

- Sterownik wyświetla pokoleji wartości parametrów dla jednego obiegu.
- Przyciskiem można przechodzić z jednego do drugiego obiegu (możliwe tylko w EXD-SH2).
- Przycisk aktywuje lub deaktywuje funkcję wyświetlania wartości chwilowych, która daje możliwość bieżącego sprawdzenia wartości parametrów w czasie rzeczywistym według zamieszczonej poniżej sekwencji:

Wartości na górnym ekranie	Kod na dolnym ekranie
Przegrzanie (K/F)	SH
Otwarcie zaworu (%)	OPEn
Temperatura ssania (°C/°F)	tASP
Ciśnienie ssania (bar/psig)	PEuA
Temperatura nasycenia (°C/°F)	tEuA
Wersja Software: (0A)	SH1 lub SH2
Powtórzenie wyświetlanych wartości	

Konfigurowanie parametrów:

Tryb konfigurowania parametrów jest zabezpieczony hasłem. Domyślne hasło to "12". W celu wejścia w poziom konfiguracji:

- Naciśnij równocześnie oraz przez ponad 5 sekund.
- Na górnym ekranie ukarze się "0" a na dolnym "PAS".
- Naciśnij aż ukaże się "12"; (hasło).
- Naciśnij w celu potwierdzenia hasła.
- Naciśnij lub w celu przewijania kodów parametrów (patrz tabela parametrów).
- Naciśnij w celu wejścia w parametr.
- Naciśnij lub w celu zwiększenia lub zmniejszenia wartości parametru.
- Naciśnij w celu wstępnego potwierdzenia nowej wartości. Nowa wartość miga kilka razy a następnie wyświetlany jest kod następnego parametru.
- Powtórzyć procedurę dla kolejnych parametrów, jeżeli istnieje taka potrzeba.

Wyjście z zapisem nowych ustawień:

- Po dokonaniu wszystkich zmian w parametrach naciśnij w celu zapamiętania wartości parametrów i wyjścia z trybu konfigurowania parametrów.

Wyjście bez zapisu nowych ustawień:

- Naciśnij oraz w celu skasowania zmian wartości parametrów i wyjścia z trybu konfiguracji parametrów.
- Inny sposób wyjścia bez zapisu wprowadzonych zmian – nie dotykać przycisków przez 120 sekund.
- **Uwaga:** W trybie konfiguracji parametrów sterownik wyświetla kod parametru na dolnym ekranie a jego wartość na górnym.

Funkcje specjalne: (Rest, czyszczenie alarmów)

- Naciśnij równocześnie oraz przez ponad 5 sekund.
- Ukaże się migające "0".
- Naciśnij aż ukaże się "12"; (jeżeli hasło domyślne zostało zmienione, wprowadź nowe hasło)
- Naciśnij w celu potwierdzenia hasła
- Wybierz funkcje specjalne zgodnie z wcześniej opisaną procedurą.

Funkcje specjalne:

Wyświetlana wartość	Kod
Reset do ustawień fabrycznych	-Fdt
Wyczyść alarmy (tylko reset ręczny)	ALrr

- Domyślan wartość tych zmiennych to 0. Po wprowadzeniu wartości 1 funkcja jest wykonywana.
- Reset do wartości fabrycznych (-Fdt) jest możliwy, jeżeli wejścia cyfrowe DI1/DI2 są otwarte.

Ręczna obsługa zaworu (serwis /obsługa):

- Naciśnij przez ponad 5 sekund
- Wybierz, zmodyfikuj i zachowaj wartości zgodnie z wcześniej opisaną procedurą konfigurowania parametrów

Kod	Opis parametru	Min	Max	Nastawa fabryczna	Nowa nastawa
1Ho	Tryb pracy ręcznej; obieg 1 0 = dezaktywacja 1 = aktywacja	0	1	0	
1HP	Otwarcie zaworu (%)	0	100	0	
2Ho	Tryb pracy ręcznej; obieg 2 0 = dezaktywacja 1 = aktywacja	0	1	0	
2HP	Otwarcie zaworu (%)	0	100	0	

Uwaga: W trybie ręcznym alarmy funkcjonalne takie jak za niskie przegrzanie są nie aktywne. Rekomenduje się monitorowanie systemu. Tryb ręczny jest przewidziany do celów serwisowych, w krótkim okresie czasu w szczególnych warunkach. Po osiągnięciu zamierzonych celów należy ustawić parametry 1Ho oraz 2Ho na wartość 0, co przywróci automatyczny tryb regulacji zaworów zgodnie z wprowadzonymi nastawami.

Lista parametrów w kolejności wyświetlania, przycisk :

Kod	Opis parametru	Min	Max	Nastawa fabryczna
H5	Hasło	1	1999	12
Adr	Adres ModBus	1	127	1
br	Prędkość przesyłu danych Modbus baud	0	1	0
PAr	Parzystość Modbus	0	1	0
-C2	Obieg 2 sterownika EXD-SH2 aktywny 0 = nie aktywny 1 = aktywny	0	1	1
-uC	Jednostki miar 0 = °C, K, bar 1 = F, psig	0	1	0
Parametry obiegu 1				
1Fct	Tryb pracy 0 = Reg. przegrzani 1 = Normalna regulacja temp. 2 = Odwrócona regulacja temp.	0	2	0
1u4	Tryb sterowania 0 = standardowy 1 = powolny 2 = pośredni 3 = stałe / regulowane PID	0	2	0
1u0	Rodzaj czynnika 0 = R22 1 = R134a 2 = R507 3 = R404A 4 = R407C 5 = R410A 6 = R124 7 = R744 8 = R407A 9 = R407F 10 = R23 11 = R32* 12 = R1234ze* 13 = R448A 14 = R449A 15 = R450A 16 = R513A 17 = R290* 18 = R1270* 19 = R454C* 20 = R452B* 21 = R454B* 22 = R454A* 23 = R452A 24 = R444B* 25 = R455A* 26 = R1233zde* 27 = R1234yf*	0	27	1
1uP	Typ przetwornika ciśnienia 0 = PT5N-07x 1 = PT5N-18x 2 = PT5N-30x 3 = PT5N-50x 4 = PT5N-150D 5 = PT5N-10P-FLR 6 = Proporcjonalny (nadcisnienie) 7 = proporcjonalny (ciś. absolutne) 8 = Modbus	0	8	1
1Pr	Zakres przetwornika proporcjonalnego (bar)	3	60	30
1ut	Typ zaworu 0 = EX4-6 1 = EX7 2 = EX8 3 = N/A 4 = N/A 5 = N/A 6 = N/A 7 = N/A 8 = N/A 9 = N/A 10 = CV4 11 = CV5-6 12 = CV7	0	12	0
1uF	Skala zaworu (%)	5	100	100
1uu	Otwarcie początkowe (%)	0	100	10
1u9	Czas otwarcia początkowego (s)	0	120	5
1uL	Alarm niskiego przegrzania 0 = nie aktywny 1 = aktywny auto reset 2 = aktywny reset ręczny Alarm dla 0.5K (jeżeli dłużej niż 1 min.); zanik alarmu dla 3K	0	2	1
1u5	Nastawa przegrzania (K) Zakres = 3-30 K jeżeli parametr 1uL = 1 lub 2, Zakres = 0.5-30 K jeżeli parametr 1uL = 0			6
1u2	Funkcja MOP 0 = nie aktywna 1 = aktywna	0	1	1
1u3	Temp. nasycenia dla MOP (°C) Nastawa fabryczna według nastawionego typu czynnika (1u0). Wartość można zmienić			(patrz tabela MOP)
1P9	Tryb alarmu niskiego ciśnienia 0 = nie aktywny 1 = aktywny auto-reset 2 = aktywny reset ręczny	0	2	0
1PA	Wyłączenie alarmu niskiego ciśnienia (bar)	-0.8	17.7	0
1PB	Opóźnienie alarmu niskiego ciśnienia (s)	5	199	5
1Pd	Włączenie alarmu niskiego ciśnienia (bar)	-0.5	18	0.3
1P4	Tryb opóźnienia alarmu zamarzania 0 = nie aktywny 1 = aktywny auto-reset 2 = aktywny reset ręczny	0	2	0
1P2	Wyłączenie alarmu zamarzania (°C)	-5	5	0
1P5	Opóźnienie alarmu zamarzania (s)	5	199	30
1P-	Kontrola przegrzania obiegu 1 (współczynnik Kp) Wyświetlacz 1/10K	0.1	10	1.0
1i-	Kontrola przegrzania obiegu 1 (współczynnik Ti)	1	350	100
1d-	Kontrola przegrzania obiegu 1 (współczynnik Td) Wyświetlacz 1/10K	0.1	30	3.0
1uH	Tryb alarmu wysokiego przegrzania 0 = nie aktywny 1 = aktywny auto-reset;	0	1	0
1uA	Nastawa alarmu wysokiego przegrzania (K)	16	40	30
1ud	Opóźnienie alarmu wysokiego przegrzania (min)	1	15	3
1tSt	Nastawa temperatury (°C)	-80	50	4
1tbd	Zakres regulacji temperatury (K)	1	10	2
1tAF	Tryb alarmu temperatury 0 = nie aktywny 1 = aktywny	0	1	0
1tAL	Nastaw alarmu temp. minimalnej (°C)	-50	50	0
1tdL	Opóźnienie alarmu temp. minimalnej (min)	1	10	3
1tAH	Nastawa alarmu temp. maksymalnej (°C)	-50	50	15
1tdH	Opóźnienie alarmu temp. maks. (min)	1	10	3
1tt	Typ czujnika temperatury 0 = ECN-Nxx (-45...+40°C) / TP1-...(-45...+150°C) 1 = ECN-Z60 (-80...-40°C) R23	0	1	0

Kod	Opis parametru	Min	Max	Nastawa fabryczna
Parametry obiegu 2 (tylko w EXD-SH2)				
2u4	Tryb pracy 0 = standardowy 1 = powolny 2 = pośredni 3 = stałe / regulowane PID	0	2	0
2u0	Rodzaj czynnika 0 = R22 1 = R134a 2 = R507 3 = R404A 4 = R407C 5 = R410A 6 = R124 7 = R744 8 = R407A 9 = R407F 10 = R23 11 = R32* 12 = R1234ze* 13 = R448A 14 = R449A 15 = R450A 16 = R513A 17 = R290* 18 = R1270* 19 = R454C* 20 = R452B* 21 = R454B* 22 = R454A* 23 = R452A 24 = R444B* 25 = R455A* 26 = R1233zde* 27 = R1234yf*	0	27	1
2uP	Typ przetwornika ciśnienia 0 = PT5N-07x 1 = PT5N-18x 2 = PT5N-30x 3 = PT5N-50x 4 = PT5N-150D 5 = PT5N-10P-FLR 6 = Proporcjonalny (nadcisnienie) 7 = proporcjonalny (ciś. absolutne) 8 = Modbus 9 = Czujnik ciśnienia obiegu 1 jest używany (1uP)	0	9	1
2Pr	Zakres przetwornika proporcjonalnego (bar)	3	60	30
2ut	Typ zaworu 0 = EX4-6 1 = EX7 2 = EX8 3 = N/A 4 = N/A 5 = N/A 6 = N/A 7 = N/A 8 = N/A 9 = N/A 10 = CV4 11 = CV5-6 12 = CV7	0	12	0
2uF	Skala zaworu (%)	5	100	100
2uu	Otwarcie początkowe (%)	0	100	10
2u9	Czas otwarcia początkowego (s)	0	120	5
2uL	Alarm niskiego przegrzania 0 = nie aktywny 1 = aktywny auto reset; 2 = aktywny reset ręczny Alarm dla 0.5K (jeżeli dłużej niż 1 min.); zanik alarmu dla 3K	0	2	1
2u5	Nastawa przegrzania (K) Zakres = 3-30 K jeżeli parametr 2uL = 1 lub 2, Zakres = 0.5-30 K jeżeli parametr 2uL = 0			6
2u2	Funkcja MOP 0 = nie aktywna 1 = aktywna	0	1	1
2u3	Temp. nasycenia dla MOP (°C) Nastawa fabryczna według nastawionego typu czynnika (2u0). Wartość można zmienić			(patrz tabela MOP)
2P9	Tryb alarmu niskiego ciśnienia 0 = nie aktywny 1 = aktywny auto-reset 2 = aktywny reset ręczny	0	2	0
2PA	Wyłączenie alarmu niskiego ciśnienia (bar)	-0.8	17.7	0
2PB	Opóźnienie alarmu niskiego ciśnienia (s)	5	199	5
2Pd	Włączenie alarmu niskiego ciśnienia (bar)	-0.5	18	0.3
2P4	Tryb opóźnienia alarmu zamarzania 0 = nie aktywny 1 = aktywny auto-reset 2 = aktywny reset ręczny	0	2	0
2P2	Wyłączenie alarmu zamarzania (°C)	-5	5	0
2P5	Opóźnienie alarmu zamarzania (s)	5	199	30
2P-	Kontrola przegrzania obiegu 2 (współczynnik Kp), stałe PID Wyświetlacz 1/10K	0.1	10	1.0
2i-	Kontrola przegrzania obiegu 2 (współczynnik Ti), stałe PID	1	350	100
2d-	Kontrola przegrzania obiegu 2 (współczynnik Td), stałe PID Wyświetlacz 1/10K	0.1	30	3.0
2uH	Tryb alarmu wysokiego przegrzania 0 = nie aktywny 1 = aktywny auto-reset;	0	1	0
2uA	Nastawa alarmu wysokiego przegrzania (K)	16	40	30
2ud	Opóźnienie alarmu wysokiego przegrzania (min)	1	15	3
2tt	Typ czujnika temperatury 0 = ECN-Nxx (-45...+40°C) / TP1-...(-45...+150°C) 1 = ECN-Z60 (-80...-40°C) R23	0	1	0

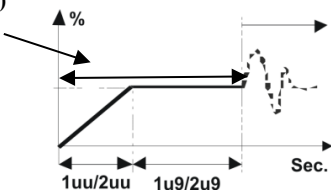
***) Ostrzeżenie - łatwopalne czynniki chłodnicze:**
EXD-SH1/2 (EXD-PM, ECP-024) ma potencjalne źródło zapłonu i nie spełnia wymagań ATEX. Instalacja tylko w środowisku niewybuchowym. W przypadku łatwopalnych czynników chłodniczych używaj wyłącznie zaworów i akcesoriów do niego zatwierdzonych!

Tabela MOP nastawy fabryczne (°C):

R...	Min.	Maks. (°C)	R...	Min.	Maks. (°C)	R...	Min.	Maks. (°C)
R22	-70	+50	R23	-70	-18	R452B	-45	+66
R134a	-57	+66	R32	-52	+30	R454B	-40	+45
R507	-75	+42	R1234ze	-57	+66	R454A	-57	+66
R404A	-76	+42	R448A	-57	+66	R452A	-45	+66
R407C	-66	+48	R449A	-57	+66	R444B	-45	+66
R410A	-52	+30	R450A	-57	+66	R455A	-57	+66
R124	-45	+91	R513A	-57	+66	R1233zde	-45	+90
R744	-40	-4	R290	-66	+48	R1234yf	-52	+66
R407A	-66	+48	R1270	-66	+48			
R407F	-66	+48	R454C	-66	+48			

Nastawy fabryczne parametrów odpowiadających za początkową fazę pracy zaworu (1uu + 1u9) / (2uu + 2u9)

- EX4/5/6 ≤ 5.3 sekund
- EX7 ≤ 5.6 sekund
- EX8 ≤ 5.9 sekund
- CV4 ≤ 5.3 sekund
- CV5/6 ≤ 5.3 sekund
- CV7 ≤ 6.6 sekund



Wgrywanie / zgrywanie parametrów:

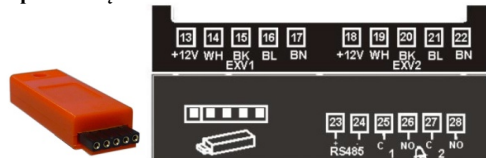
W powtarzalnych urządzeniach / systemach możliwe jest wykorzystanie pamięci zewnętrznej do zgrywania / wgrywania listy parametrów i przeniesienia jej pomiędzy sterownikami pracującymi z identycznymi ustawieniami.

Procedura zgrywania (nagrywanie parametrów ze sterownika na pamięć zewnętrzną):

- Wsunąć pamięć do złącza gdy sterownik jest włączony i nacisnąć . Pojawi się komunikat "uPL" a następnie "End" przez 5 sekund
- **Uwaga:** Jeżeli pojawi się komunikat "Err" należy powtórzyć powyższą procedurę.

Procedura wgrywania (ładowanie parametrów z pamięci zewnętrznej do sterownika):

- Wyłączyć zasilanie sterownika.
- Wsunąć pamięć do złącza (z nagranyimi ustawieniami parametrów) i włączyć zasilanie sterownika.
- Parametry zostaną automatycznie wgrane do pamięci sterownika. Pojawi się komunikat "doL" a następnie "End" przez 5 sekund.
- Sterownik rozpocznie pracę według nowych ustawień parametrów po zniknięciu "End".
- Wyjąć pamięć ze złącza.
- **Uwaga:** Jeżeli pojawi się komunikat "Err" należy powtórzyć powyższą procedurę.



Postępowanie z alarmami:

Kod alarmu	Opis	Powiązane parametry	Przełącznik alarmowy	Zawór	Co robić?	Konieczność kasowania alarmu po rozwiązaniu problem
1E0/2E0	Alarm przetwornika ciśnienia obiegu 1/2	-	Wyzwolony	Zamknięty	Sprawdzić połączenia i zmierzyć sygnał	Nie
1E1/2E1	Alarm czujnika temp. obiegu 1/2	-	Wyzwolony	Zamknięty	Sprawdzić połączenia i zmierzyć oporność czujnika.	Nie
1Π/2Π-	Alarm połączenia elektrycznego zaworu obiegu 1/2	-	Wyzwolony	-	Sprawdzić połączenia i zmierzyć oporność uzwojeń silnika.	Nie
AFE 1/2	Alarm zamarzania obiegu 1/2	1P4/2P4: 1	Wyzwolony	Zamknięty	Sprawdzić możliwe powody niskiego ciśnienia ssania np. niskie obciążenie parownika.	Nie, jeżeli jest ON
AFE 1/2		1P4/2P4: 2	Wyzwolony	Zamknięty		Tak, jeżeli miga
LSH 1/2	Alarm niskiego przegrzania (<0,5K)	1uL/2uL: 1	Wyzwolony	Zamknięty	Sprawdzić połączenia i działanie zaworu.	Nie, jeżeli jest ON
LSH 1/2		1uL/2uL: 2	Wyzwolony	Zamknięty		Tak, jeżeli miga
1AL1	Alarm min. temp.	1tAL	Wyzwolony	Zamknięty	Sprawdzić połączenia, działanie zaworu, wielkość zaworu, obciążenie zaworu.	Nie
1AH1	Alarm max. temp.	1tAH	Wyzwolony	Zamknięty	Sprawdzić system.	Nie
HSH 1/2	Wysokie przegrzanie 1/2	1uH/2uH: 1	Wyzwolony	Otwarty	Sprawdzić powody niskiego ciśnienia w systemie np. ucieczka czynnika.	Nie, jeżeli jest ON
LOP 1/2	Niskie ciśnienie obiegu 1/2	1P9/2P9: 1	Wyzwolony	Otwarty	Powtórzyć procedurę.	Nie
LOP 1/2		1P9/2P9: 2	Wyzwolony	Otwarty		Tak, jeżeli miga
Err	Błąd wgrywania/zgrywania	-	-	-	Sprawdzić komunikację Modbus.	Nie
ACEr	Modbus przekroczenie czasu	-	-	-	Uwaga: Alarm (ACEr) jest aktywny tylko, jeżeli typ przetwornika ciśnienia jest skonfigurowany, jako Modbus.	Nie
PFA	Alarm błędu zasilania	-	Wyzwolony	Zamknięty	Alarm jest wyświetlany w przypadku zaniku zasilania z sieci podczas zamykania zaworu przy pomocy baterii.	Nie

Kod ACF1 lub ACF2: (obwód1/2) -niedozwolona konfiguracji/selekcji parametrów. Alarm jest wyświetlany w następujących sytuacjach:

- Jeżeli dwa obiegi EXD-SH2 są podłączone do dwóch różnych typów przetworników ciśnienia np. 4-20 mA oraz 0-5 V. Obligatoryjne oba obiegi muszą być wyposażone w przetworniki ciśnienia wykonane w tej samej technologii.
- Funkcja sterowania temperaturą jest dostępna tylko dla zaworów EX4-8. W przypadku zastosowania innych zaworów będzie wyświetlany alarm ACF.
- Proporcjonalne przetworniki ciśnienia nie mogą być stosowane z czynnikiem R744.

Uwaga:

- W przypadku wystąpienia kilku alarmów, będą one prezentowane na dolnym

ekranie jeden po drugim.

- Alarm przetwornika ciśnienia w przypadku proporcjonalnych przetworników ciśnienia z firm trzecich opiera się o wykrycie przerwy w połączeniu jednego z dwóch przewodów (5 V oraz sygnałowy 0.5-4.5 V). Jeżeli przerwaniu ulegnie trzeci przewód (zerowy) uszkodzenie nie zostanie wykryte a sterownik będzie otrzymywał fałszywy sygnał o wartość wyższą w przedziale 50% - 100%.

Fałszywy sygnał prowadzi do nieprawidłowej pracy sterownika EXD-SH1/2 I może spowodować uszkodzenie sprężarki lub system. EMERSON nie ponosi odpowiedzialności w takich przypadkach.

Serwis / Wykrywanie usterek:

Objaw	Przyczyna	Działanie
Przegrzanie robocze jest o kilka stopni wyższe lub niższe od zadanego	Nieprawidłowy sygnał z czujników ciśnienia lub temperatury	1- Sprawdź czujniki 2- Upewnij się, że kable czujnika nie są prowadzone razem z innymi kablami wysokiego napięcia
Przegrzanie robocze jest zbyt niskie, tzn. sprężarka pracuje na mokro	1- Nieprawidłowe podłączenie ECV 2- Uszkodzenie czujników	1- Sprawdź połączenia elektryczne 2- Sprawdź czujnik
Zawór nie jest całkowicie domknięty	1- Wejście cyfrowe włączone 2- Błędna nastawa parametru ut.	1- Zawór jest odcinany tylko po wyłączeniu wejścia cyfrowego 2- Sprawdź nastawę parametru ut
Przegrzanie jest niestabilne (niestateczność regulacji)	Parownik jest przeznaczony do pracy przy wyższym przegrzaniu	Zwiększ wartość nastawy przegrzania
Otwieranie zaworu po wydaniu przez EXD polecenia zamknięcia i odwrotnie	Nieprawidłowe połączenie el. między EXD-SH... a zaworem	Popraw połączenia elektryczne
Otwarcie EX8 niemożliwe przy dużej różnicy ciśnień	Błędna nastawa parametru ut	Sprawdź parametr ut. (Większy zawór wymaga wyższego momentu obrotowego i wyższego prądu)
Przesuw nastawy przegrzania po kilku miesiącach nieprzerwanej pracy lub zwarciu na stałe wejścia cyfrowego 24V	Zawory napędzane silnikiem krokowym wymagają synchronizacji	Wejście cyfrowe nie może być zwarte na stałe. Jeśli sprężarka pracuje w sposób ciągły, należy raz w tygodniu spowodować przerwanie wejścia cyfrowego na 10 sekund.

Informazioni Generali:

EXD-SH1/2 sono controllori stand alone del surriscaldamento e/o della temperatura. EXD-SH1 è progettato per il controllo di una valvola elettronica bipolare mentre EXD-SH2 è progettato per il controllo di due valvole elettroniche bipolari indipendenti.

Una tabella con le possibili applicazioni è riportata di seguito:

Controllore	Circuito 1: Funzione Principale	Circuito 2: Funzione Principale
EXD-SH1	Controllo Surriscaldamento o Temperatura	
EXD-SH2	Controllo Surriscaldamento o Temperatura	Controllo Surriscaldamento

Attenzione:

Con il controllore EXD-SH2 è anche possibile utilizzare solo il circuito 1. In questo caso il circuito 2 deve essere disabilitato (parametro C2) e non sono richiesti le sonde e la valvola per il secondo circuito. La comunicazione ModBus viene descritta in un Bollettino Tecnico separato e non è oggetto di questo documento.

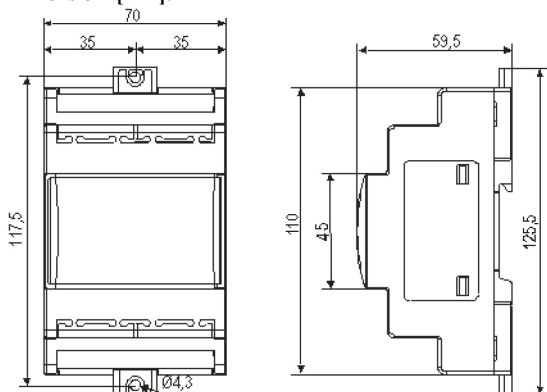
Dati Tecnici:

Alimentazione	24 VAC/DC +10%/-10% 50/60 Hz.
Potenza Assorbita	EXD-SH1: 25 VA EXD-SH2: 50 VA
Connettore Plug-in	Dimensioni cavi terminali a vite rimovibili 0.14 ... 1.5 mm ²
Classe di Protezione	IP00
Sensori di Temperatura	ECN-N... / TP1... (temperatura fino a -45°C) ECN-Z... (temperatura fino a -80°C)
Massima temp. circostante / funzionamento	0...+55°C
Massima distanza del cavo tra EXD-SH e EXD-PM	50 cm AWG 18 dimensione del filo (≥ 1 mm ²)
Trasduttori di Pressione	PT5N, PT5N-FLR o sonde raziometriche
Relay di Output allarme	Resistivo 24 V AC/DC, 1 A Induttivo 24 V AC/DC, 0.5 A
Contatto chiuso:	In condizioni di allarme
Contatto aperto:	In condizioni di funz. normale e alimentazione OFF
Output motore passo-passo	Valvole: EX4-8 (EX4-7-FLR) CV4-7
Montaggio	Standard DIN rail
Marchio	

Attenzione:

EXD-SH1/2 (EXD-PM, ECP-024) rappresenta una potenziale fonte di accensione e non è conforme ai requisiti ATEX. Installare solo in ambiente non esplosivo. Per i refrigeranti infiammabili usare solo valvole e accessori approvati!

Dimensioni [mm]:

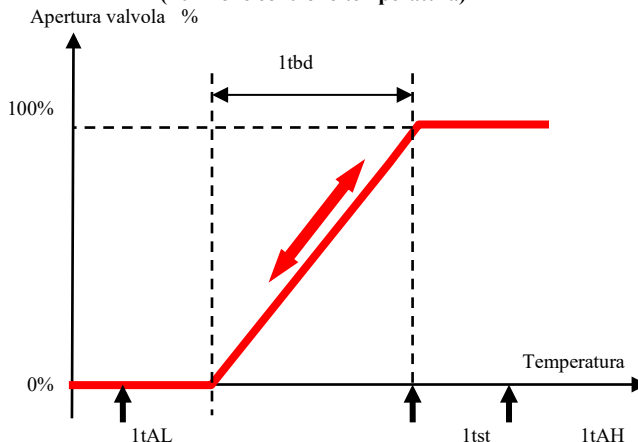


Istruzioni di sicurezza:

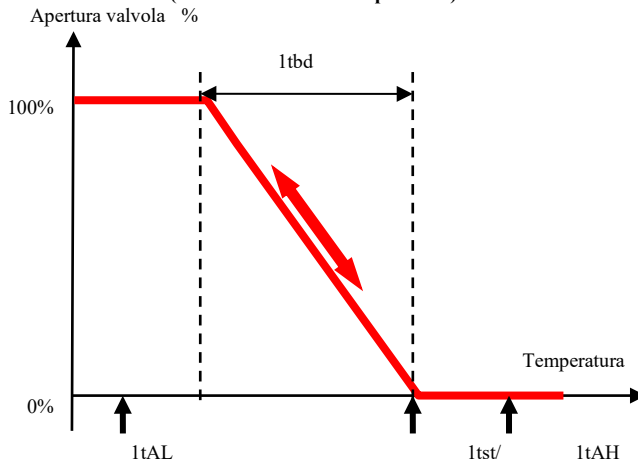
- Leggere attentamente le istruzioni di sicurezza. Un impiego errato può causare il danneggiamento dell'apparecchiatura, dell'impianto o il ferimento del personale.
- Il prodotto deve essere utilizzato solamente da personale esperto.
- Scollegare il sistema dall'alimentazione prima dell'installazione o interventi di manutenzione.
- Non utilizzare il sistema prima di aver completato tutti i collegamenti.

- Non alimentare il controllore prima di aver completato il collegamento elettrico.
- Tutti i collegamenti elettrici devono essere conformi alle normative vigenti.
- Gli ingressi non sono isolati: devono essere utilizzati contatti puliti (potential free contacts).
- **Smaltimento:** Rifiuti elettrici ed elettronici NON devono essere smaltiti insieme agli altri rifiuti commerciali. E' infatti responsabilità dell'utente lo smaltimento presso un punto di raccolta approvato per un corretto riciclaggio dei rifiuti di apparecchiature elettriche ed elettroniche (Direttiva WEEE 2012/19/EU). Per ulteriori informazioni, contattare il proprio centro di riciclaggio per l'ambiente.

Impostazioni Temperatura in funzionamento normale (Funzione controllo temperatura)



Impostazioni Temperatura in funzionamento inverso (Funzione controllo temperatura)



Connessioni elettriche e cablaggio:

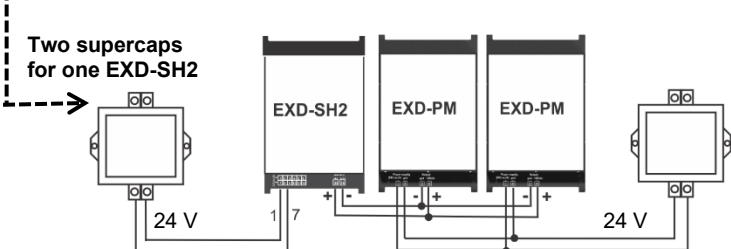
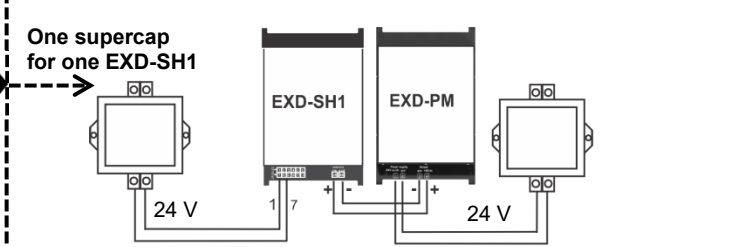
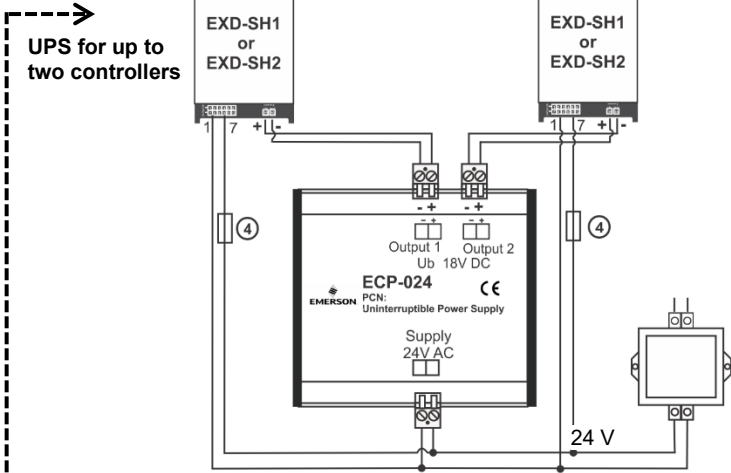
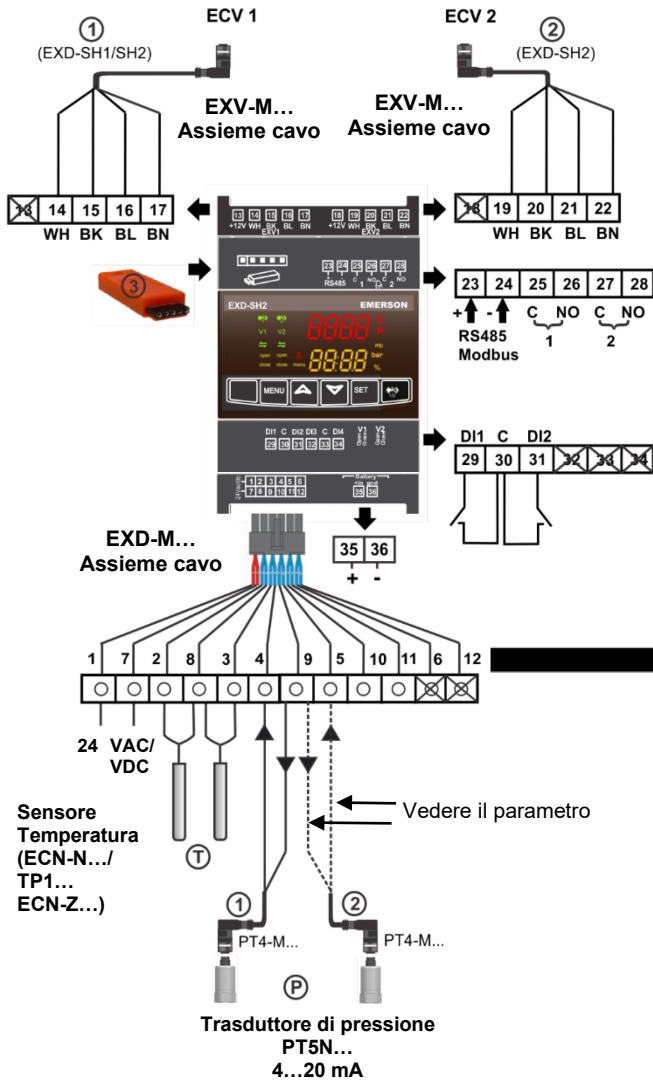
- Per le connessioni elettriche fare riferimento allo schema elettrico.
- **Attenzione:** mantenere i conduttori del controllore e del sensore ben separati dai cavi di alimentazione. Distanza minima raccomandata 30mm.
- Per collegare i conduttori dell'assieme cavo EXV-M... (cavo per le valvole) considerare la seguente codifica dei colori:
EXV-M...: WH: Bianco; BK: Nero; BN: Marrone; BL: Blue

- L'ingresso digitale DI1 (EXD-SH1/SH2) e DI2 (EXD-SH2) sono l'interfaccia tra EXD-SH1/2 e il controllore di sistema nel caso in cui non venga utilizzata la comunicazione Modbus. Gli ingressi digitali esterni devono essere privi di potenziale (contatto pulito) e devono essere utilizzati in base al compressore/richesta del sistema.

Condizioni operative	Ingresso digitale
Avvio/Funzionamento compressore	Contatto esterno deve chiudere (Avvio)
Fermata compressore	Contatto esterno deve aprire (Stop)

Attenzione: il collegamento all'alimentazione principale di qualsiasi ingresso del EXD-SH1/2 danneggerà in modo permanente il controllore EXD-SH1/2.

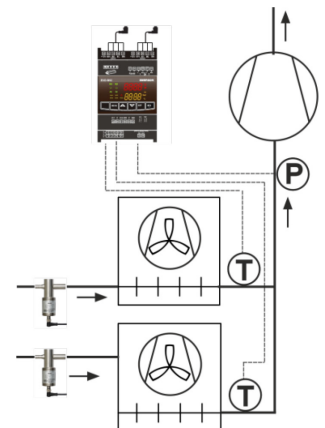
Opzioni collegamento: UPS (ECP-024) / Supercap (EXD-PM)



- ⚠ Attenzione:**
- Utilizzare un trasformatore elettrico 24VAC di classe II. Non collegare a terra le linee 24VAC. Sugeriamo di utilizzare un trasformatore per ogni controllo EXD-SH1/2 e per trasformatori di terze parti per evitare possibili interferenze nell'alimentazione o nella messa a terra.
 - Se EXD-PM è connesso, è obbligatorio utilizzare singoli trasformatori per EXD-SH... e EXD-PM.

①	Circuito 1 (EXD-SH1/SH2)		Valvola espansione elettronica circuito 1 (ECV1) EXV-M... Colori cavi elettrici WH-bianco BK-nero BL-blue BN-marrone
②	Circuito 2 (EXD-SH2)	14-17	
③	Chiavetta per Download/upload		Valvola espansione elettronica circuito 2 (ECV2) EXV-M... Colori cavi elettrici WH-bianco BK-nero BL-blue BN-marrone
1 e 7	Alimentazione 24 VAC/DC	19-22	
2 e 8	Sensore temperatura circuito 1	23 e 24	RS485 (+/-terminali)
3 e 8	Sensore temperatura circuito 2	25 e 26	Relay allarme circuito 1 (C, NO) – Adatto per 24 VAC/DC
4 e 5	PT5N... circuito 1 & circuito 2 (cavo bianco: segnale da 4 – 20 mA)	27 e 28	Relay allarme circuito 2 (C, NO) – Adatto per 24 VAC/DC
9	Alimentazione + 12 VDC per PT5N... (cavo marrone)	29 e 30	Ingresso digitale circuito1 (DI1) – Contatto pulito, senza potenziale
Alternativa trasduttore raziometrico di terze parti: Attenzione: leggere le indicazioni in ultima pagina per evitare condizioni di errori			
4 e 5	Trasduttore pressione circuito 1 & circuito 2 (segnale da 0.5- 4.5 V)	31 e 30	Ingresso digitale circuito 2 (DI2) – Contatto pulito, senza potenziale
11	Alimentazione + 5 VDC	④	Fusibile EXD-SH1 (1A), EXD-SH2 (2A)
10	Messa a terra GND	6,12,13, 18,32-34	Non utilizzati (terminali su EXD-SH1/2)

*) Parametro 2uP con numero 9 = Sensore di pressione da circuito 1 viene utilizzato



Preparazione per l'avviamento:

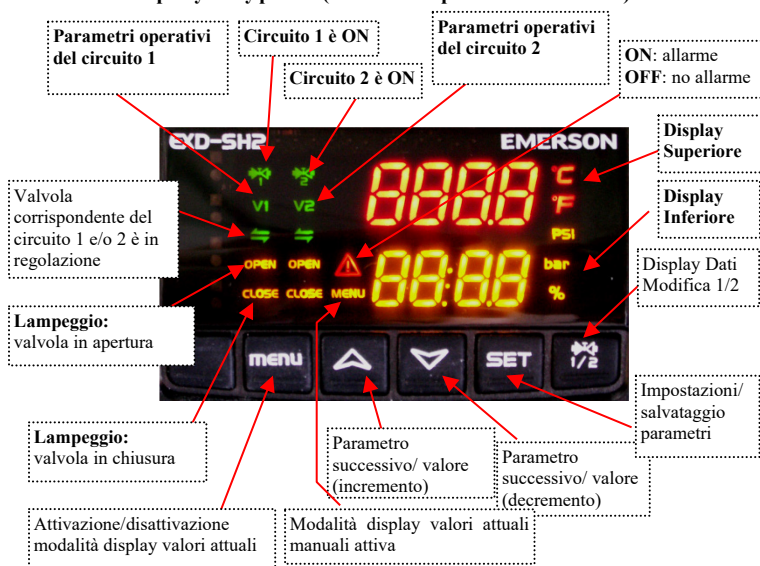
- Mettere in vuoto l'intero circuito di refrigerazione.
- **Attenzione:** le valvole EX/CV sono spedite in posizione di apertura parziale. **Non caricare il sistema con refrigerante prima di aver chiuso la valvola.**
- Alimentare a 24V il controllo EXD-SH1/2 con l'ingresso digitale (DI1/DI2) aperto. La valvola si porterà in posizione di chiusura.
- Dopo la chiusura della valvola, è possibile cominciare la carica di refrigerante nel sistema.

Setup dei paramtri:

(devono essere controllati/modificati prima dell'avviamento del sistema)

- Assicurarsi che l'ingresso digitale (DI1/DI2) sia aperto. Alimentare a 24V il controllo EXD-SH1/2.
- Password parametri (H5), tipo di funzione (1Fct), tipo di refrigerante (1u0/2u0), tipo di trasduttore pressione (1uP/2uP) e scala della valvola (1uF/2uF) devono essere impostati in base al sistema e solamente quando l'ingresso digitale DI1/DI2 è aperto. Questa specifica fornisce un'ulteriore sicurezza per prevenire danni ai compressori e agli altri componenti del sistema.
- Una volta che sono stati impostati e salvati i parametri principali, è possibile avviare il controllo EXD-SH1/2. Se necessario, tutti gli altri parametri possono essere modificati in qualsiasi momento durante il funzionamento o in standby.

Unità Display/keypad: (funzioni pulsanti e LED)



Descrizione Display:

	Selezione funzioni principali		
	Controllo Surriscaldamento		Controllo Temperatura
	Compressore ON	Compressore OFF	
Display superiore mostra	Surriscaldament o (K/F)	Surriscaldament o (K/F)	Temperatura controllata (°C/F)
Display inferiore mostra	Apertura valvola (%)	Pressione aspiraz. (bar/psig)	Apertura valvola (%)

Attenzione: quando il valore di Surriscaldamento lampeggia, il controllore è in funzione MOP.

Modalità display valore corrente:

- Il controllo mostra i valori di un circuito, per cambiare da un circuito all'altro, premere il pulsante (funzione disponibile solo per EXD-SH2).
- Premendo il pulsante , la modalità display valori attuali può essere attivata/disattivata, in modo tale che l'utente può controllare i valori misurati/calcolati in tempo reale nella sequenza mostrata nella seguente tabella:

Valore display superiore	Codice display inferiore
Surriscaldamento (K/F)	SH
Apertura valvola (%)	OPEn
Temperatura aspirazione (°C/°F)	tASP
Pressione aspirazione (bar/psig)	PEuA
Temperatura satura (°C/°F)	tEuA
Versione Software: (0A)	SH1 or SH2
Ripetizione display dei valori	

Modalità configurazione parametri:

La configurazione dei parametri è protetta da una password numerica. La password di default è "12". Per entrare nella configurazione parametri:

- Premere insieme i pulsanti e per più di 5 secondi.
- Uno "0" lampeggiante viene mostrato in alto e "PAS" in basso.
- Premere fino a quando viene mostrato "12"; (password).
- Premere per confermare la password.
- Premere o per visualizzare il codice del parametro (vedere tabella dei codici parametri) che deve essere accessibile/modificato.
- Premere per selezionare e modificare il valore del parametro.
- Premere o per aumentare o diminuire il valore.
- Premere per confermare temporaneamente il nuovo valore. Il valore selezionato lampeggia alcune volte e il mostra il prossimo codice parametro disponibile.
- Ripetere la procedura per gli altri parametri in base alle necessità.

Per uscire e salvare le nuove impostazioni:

- Quando tutti i parametri sono stati modificati, premere per salvare tutti i nuovi valori ed uscire dalla procedura per la modifica dei parametri.

Per uscire e non salvare le nuove impostazioni:

- Premere e per cancellare la modifica dei parametri e tutte le modifiche fatte.
- Un altro modo per uscire senza salvare le modifiche fatte è di non premere nessun pulsante per almeno 120 secondi (TIME OUT).
- **Attenzione:** in modalità modifica parametri, il controllore mostra il codice parametro nel display inferiore e il valore del parametro sul display superiore.

Funzioni speciali manuali: (Rest, clear)

- Premere insieme i pulsanti e per più di 5 secondi.
- Viene mostrato uno "0" lampeggiante.
- Premere fino a quando viene mostrato "12"; (se la password di default è stata modificata, deve essere selezionata la nuova password)
- Premere per confermare la password
- Selezionare la funzione special come spiegato nella modalità configurazione parametri

Le funzioni speciali sono:

Valore mostrato	Codice
Factory Reset	-Fdt
Clear Alarms (only manual reset)	ALrr

- Il valore di default per ogni variabile è 0, quando è impostata a 1 viene attivata la funzione corrispondente.
- Il reset ai valori di fabbrica del controllore (-Fdt) è possibile quando l'ingresso digitale DI1/DI2 è aperto.

Funzionamento manuale della valvola (interventi in assistenza /manutenzione):

- Premere per più di 5 secondi
- Selezione, modifica e salvataggio delle variabili come spiegato nella modalità configurazione parametri

Codice	Descrizione parametri e impostazioni	Min	Max	Impost. Std.	Impos. Pers.
1Ho	Funz. modalità manuale; circuito 1 0 = disabilitato; 1 = Abilitato	0	1	0	
1HP	Apertura valvola (%)	0	100	0	
2Ho	Funz. modalità manuale; circuito 2 0 = disabilitato; 1 = Abilitato	0	1	0	
2HP	Apertura valvola (%)	0	100	0	

Attenzione: in funzionamento manuale, gli allarmi funzionali come basso surriscaldamento sono disabilitati. E'raccomandato di monitorare il funzionamento del sistema quando il controllore è utilizzato in modalità manuale. La modalità manuale deve essere utilizzata solo per interventi in assistenza e per il comando temporaneo della valvola in una specifica condizione. Una volta completata l'operazione richiesta, impostare i parametri "1Ho" e "2Ho" a "0" in modo tale che il controllore azioni automaticamente la valvola in base al suo setpoint.

Sequenza lista parametri utilizzando il pulsante :

Codice	Descrizione parametri e impostazioni	Min	Max	Impost. Std.
H5	Password	1	1999	12
Adr	Indirizzo ModBus	1	127	1
br	Modbus baudrate	0	1	0
PAr	Modbus parity	0	1	0
-C2	Circuito 2 di EXD-SH2 abilitato 0 = Disabilitato; 1 = Abilitato;	0	1	1
-uC	Unità di misura 0 = °C, K, bar; 1 = F, psig;	0	1	0
Parametri Circuito 1				
1Fct	Funzione 0 = controllo surriscaldamento 1 = controllo temperatura funzionamento normal 2 = controllo temperatura funzionamento inverso	0	2	0
1u4	Modalità controllo 0 = standard 1 = slow 2 = controllo intermedio 3 = PID fisso regolabile	0	2	0
1u0	Refrigerante 0 = R22 1 = R134a 2 = R507 3 = R404A 4 = R407C 5 = R410A 6 = R124 7 = R744 8 = R407A 9 = R407F 10 = R23 11 = R32* 12 = R1234ze* 13 = R448A 14 = R449A 15 = R450A 16 = R513A 17 = R290* 18 = R1270* 19 = R454C* 20 = R452B* 21 = R454B* 22 = R454A* 23 = R452A 24 = R444B* 25 = R455A* 26 = R1233zde* 27 = R1234yf*	0	27	1
1uP	Trasduttore di pressione 0 = PT5N-07x 1 = PT5N-18x 2 = PT5N-30x 3 = PT5N-50x 4 = PT5N-150D 5 = PT5N-10P-FLR 6 = Raziometrico (gauge) 7 = Raziometrico (absolute) 7 = Modbus	0	8	1
1Pr	Range Raziometrico[bar]	3	60	30
1ut	Modello Valvola 0 = EX4-6(FLR) 1 = EX7(FLR) 2 = EX8 3 = N/A 4 = N/A 5 = N/A 6 = N/A 7 = N/A 8 = N/A 9 = N/A 10 = CV4 11 = CV5-6 12 = CV7	0	12	0
1uF	Scala Valvola (%)	5	100	100
1uu	Apertura all'avviamento (%)	0	100	10
1u9	Durata apertura all'avviamento (s)	0	120	5
1uL	Allarme Basso Surriscaldamento 0 = disabilitato 1 = abilitato auto reset 2 = abilitato reset manuale Allarme a 0.5K (se rimane per 1 min.); Cancellazione immediata allarme a 3K	0	2	1
1u5	Set point Surriscaldamento (K) Range = 3-30 K se il 1uL = 1 / 2 Range = 0.5-30 K se il 1uL = 0			6
1u2	Funzione MOP 0 = disabilitata 1 = Abilitata	0	1	1
1u3	Temp Saturazione MOP (°C) Impostato di fabbrica in base al refrigerante selezionato (1u0). Il valore di default può essere modificato	(vedere tabella MOP)		
1P9	Modalità allarme bassa pressione 0 = disabilitato 1 = abilitato auto-reset 2 = abilitato reset manuale	0	2	0
1PA	Cut-out allarme bassa pressione (bar)	-0.8	17.7	0
1Pb	Ritardo allarme bassa pressione (s)	5	199	5
1Pd	Cut-in allarme bassa pressione (bar)	-0.5	18	0.3
1P4	Modalità ritardo allarme congelamento 0 = disabilitato 1 = abilitato auto-reset 2 = abilitato reset manuale	0	2	0
1P2	Allarme congelamento cut-out (°C)	-5	5	0
1P5	Ritardo allarme congelamento (s)	5	199	30
1P-	Controllo surriscaldamento circuito1 (fattore Kp) Display 1/10K	0.1	10	1.0
1i-	Controllo surriscaldamento circuito1 (fattore Ti)	1	350	100
1d-	Controllo surriscaldamento circuito1 (fattore Td) Display 1/10K	0.1	30	3.0
1uH	Modalità allarme alto surriscaldamento 0 = disabilitato 1 = abilitato auto-reset	0	1	0
1uA	Set point allarme alto surriscald. (K)	16	40	30
1ud	Ritardo allarme alto surriscald. (min)	1	15	3
1tSt	Set point controllo temperatura (°C)	-80	50	4
1tbd	Banda temperatura (K)	1	10	2
1tAF	Modalità allarme temperatura 0 = disabilitato 1 = abilitato	0	1	0
1tAL	Set point allarme min. temperature (°C)	-50	50	0
1tdL	Ritardo allarme min. temperature (min)	1	10	3
1tAH	Set point allarme max. temperature (°C)	-50	50	15
1tdH	Ritardo allarme max. temperature (min)	1	10	3
1tt	Sensore Temperatura 0 = ECN-Nxx (-45...+40°C) / TP1-...(-45...+150°C) 1 = ECN-Z60 (-80...-40°C) per R23	0	1	0

Codice	Descrizione parametri e impostazioni	Min	Max	Impost. Std.
Parametri Circuito 2 (solo per EXD-SH2)				
2u4	Modalità controllo 0 = standard 1 = slow 2 = controllo intermedio 3 = PID fisso regolabile	0	2	0
2u0	Refrigerante 0 = R22 1 = R134a 2 = R507 3 = R404A 4 = R407C 5 = R410A 6 = R124 7 = R744 8 = R407A 9 = R407F 10 = R23 11 = R32* 12 = R1234ze* 13 = R448A 14 = R449A 15 = R450A 16 = R513A 17 = R290* 18 = R1270* 19 = R454C* 20 = R452B* 21 = R454B* 22 = R454A* 23 = R452A 24 = R444B* 25 = R455A* 26 = R1233zde* 27 = R1234yf*	0	27	1
2uP	Trasduttore di pressione 0 = PT5N-07x 1 = PT5N-18x 2 = PT5N-30x 3 = PT5N-50x 4 = PT5N-150D 5 = PT5N-10P-FLR 6 = Raziometrico (gauge) 7 = Raziometrico (absolute) 8 = Modbus 9 = Sensore di pressione da circuito1 viene utilizzato (IUP)	0	9	1
2Pr	Range Raziometrico(bar)	3	60	30
2ut	Modello Valvola 0 = EX4-6(FLR) 1 = EX7(FLR) 2 = EX8 3 = N/A 4 = N/A 5 = N/A 6 = N/A 7 = N/A 8 = N/A 9 = N/A 10 = CV4 11 = CV5-6 12 = CV7	0	12	0
2uF	Scala Valvola (%)	5	100	100
2uu	Apertura all'avviamento (%)	0	100	10
2u9	Durata apertura all'avviamento (s)	0	120	5
2uL	Allarme Basso Surriscaldamento 0 = disabilitato 1 = abilitato auto reset 2 = abilitato reset manuale Allarme a 0.5K (se rimane per 1 min.); Cancellazione immediata allarme a 3K	0	2	1
2u5	Set point Surriscaldamento (K) Range = 3-30 K, se il 2uL = 1 / 2 Range = 0.5-30 K, se il 2uL = 0			6
2u2	Funzione MOP 0 = disabilitata; 1 = Abilitata	0	1	1
2u3	Temp Saturazione MOP (°C) Impostato di fabbrica in base al refrigerante selezionato (2u0). Il valore di default può essere modificato	(vedere tabella MOP)		
2P9	Modalità allarme bassa pressione 0 = disabilitato 1 = abilitato auto-reset 2 = abilitato reset manuale	0	2	0
2PA	Cut-out allarme bassa pressione (bar)	-0.8	17.7	0
2Pb	Ritardo allarme bassa pressione (s)	5	199	5
2Pd	Cut-in allarme bassa pressione (bar)	-0.5	18	0.3
2P4	Modalità ritardo allarme congelamento 0 = disabilitato 1 = abilitato auto-reset 2 = abilitato reset manuale	0	2	0
2P2	Allarme congelamento cut-out (°C)	-5	5	0
2P5	Ritardo allarme congelamento (s)	5	199	30
2P-	Controllo surriscaldamento circuito 2 (fattore Kp), PID fisso Display 1/10K	0.1	10	1.0
2i-	Controllo surriscaldamento circuito 2 (fattore Ti), PID fisso	1	350	100
2d-	Controllo surriscaldamento circuito 2 (fattore Td), PID fisso Display 1/10K	0.1	30	3.0
2uH	Modalità allarme alto surriscaldamento 0 = disabilitato 1 = abilitato auto-reset;	0	1	0
2uA	Set point allarme alto surriscald. (K)	16	40	30
2ud	Ritardo allarme alto surriscald. (min)	1	15	3
2tt	Sensore Temperatura 0 = ECN-Nxx (-45...+40°C) / TP1-...(-45...+150°C) 1 = ECN-Z60 (-80...-40°C) per R23	0	1	0

***) Attenzione -refrigeranti infiammabili:**
EXD-SH1/2 (EXD-PM, ECP-024) rappresenta una potenziale fonte di accensione e non è conforme ai requisiti ATEX. Installare solo in ambiente non esplosivo. Per i refrigeranti infiammabili usare solo valvole e accessori approvati!

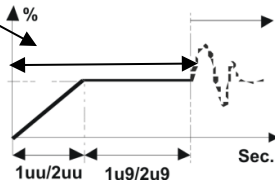
Tabelle valori MOP di default (°C):

R...	Min.	Mass. (°C)	R...	Min.	Mass. (°C)	R...	Min.	Mass. (°C)
R22	-70	+50	R23	-70	-18	R452B	-45	+66
R134a	-57	+66	R32	-52	+30	R454B	-40	+45
R507	-75	+42	R1234ze	-57	+66	R454A	-57	+66
R404A	-76	+42	R448A	-57	+66	R452A	-45	+66
R407C	-66	+48	R449A	-57	+66	R444B	-45	+66
R410A	-52	+30	R450A	-57	+66	R455A	-57	+66
R124	-45	+91	R513A	-57	+66	R1233zde	-45	+90
R744	-40	-4	R290	-66	+48	R1234yf	-52	+66
R407A	-66	+48	R1270	-66	+48			
R407F	-66	+48	R454C	-66	+48			

Controllo (valvola) all'avviamento con le impostazioni di fabbrica:

$(1u1 + 1u9) / (2u1 + 2u9)$

- EX4/5/6 ≤ 5.3 Secondi
- EX7 ≤ 5.6 Secondi
- EX8 ≤ 5.9 Secondi
- CV4 ≤ 5.3 Secondi
- CV5/6 ≤ 5.3 Secondi
- CV7 ≤ 6.6 Secondi



Chiavetta per Upload/download:

Per la produzione di sistemi/unità in serie, la chiavetta per upload/download permette di trasferire la configurazione parametri a tutta la gamma di sistemi identici.

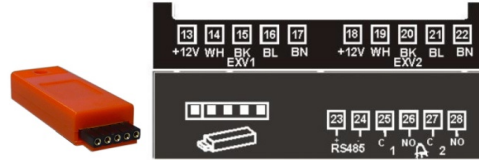
Procedura di Uploading (memorizzazione della configurazione parametri sulla chiavetta):

- Inserire la chiavetta mentre il primo controllore (riferimento) è ON e premere il pulsante ; appare il messaggio "uPL" seguito dal messaggio "End" per 5 secondi.
- **Attenzione:** se il messaggio "Err" per programmazione errata, ripetere la

procedura sopra.

Procedura di Downloading (configurazione parametric dalla chiavetta ad altri controllori):

- Togliere l'alimentazione al nuovo controllore.
- Inserire la chiavetta (con la configurazione parametri del controllore di riferimento) nel nuovo controllore e dare l'alimentazione.
- I parametri memorizzati della chiavetta saranno scaricati automaticamente nella memoria del nuovo controllore; appare il messaggio "doL" seguito dal messaggio "End" per 5 secondi.
- Il nuovo controllore con impostata la nuova configurazione parametri comincerà a funzionare quando scompare il messaggio "End".
- Rimuovere la chiavetta.
- **Attenzione:** se appare il messaggio "Err" per programmazione errata, ripetere la procedura sopra.



Errori/Allarmi:

Codice	Descrizione	Riferimento Parametri	Relay Allarme	Valvola	Verifiche da fare	Necessità di cancellazione allarme
1E0/2E0	Errore trasduttore di pressione circuito 1/2	-	Attivato	Chiusa	Verificare la connessione e misurare il segnale.	No
1E1/2E1	Errore sensore di temperatura circuito 1/2	-	Attivato	Chiusa	Verificare la connessione e misurare la resistenza del sensore.	No
1I1/2I1	Errore connessione elettrica valvola circ. 1/2	-	Attivato	-	Verificare la connessione e misurare la resistenza dell'avvolgimento.	No
AFE 1/2	Protezione congelamento circuito 1/2	1P4/2P4: 1	Attivato	Chiusa	Verificare possibili cause di bassa pressione del sistema come basso carico sull'evaporatore.	No se è ON
AFE 1/2		1P4/2P4: 2	Attivato	Chiusa		Si se lampeggia
LSH 1/2	Basso surriscaldamento (<0,5K)	1uL/2uL: 1	Attivato	Chiusa	Verificare la connessione e il funzionamento della valvola.	No se è ON
LSH 1/2		1uL/2uL: 2	Attivato	Chiusa		Si se lampeggia
tAL1	Allarme min. temperatura	1tAL	Attivato	Chiusa	Verificare la connessione, il funzionamento della valvola, la grandezza della valvola e il carico.	No
tAH1	Allarme max. temperatura	1tAH	Attivato	Chiusa		No
HSH 1/2	Alto surriscaldamento circuito 1/2	1uH/2uH: 1	Attivato	In funzione	Verificare il sistema.	No
LOP 1/2	Bassa pressione circuito 1/2	1P9/2P9: 1	Attivato	In funzione	Verificare possibili cause di bassa pressione come perdita di carica refrigerante.	No se è ON
LOP 1/2		1P9/2P9: 2	Attivato	In funzione		Si se lampeggia
Err	Errato Uploading/downloading	-	-	-	Ripetere la procedura di uploading/downloading.	No
ACEr	Modbus Timed Out	-	-	-	Verificare la comunicazione Modbus. Nota: l'attivazione dell'allarme Modbus (ACEr) avviene solamente quando il tipo di trasduttore di pressione è configurato di tipo Modbus e il corrispondente circuito è in chiamata.	No
PFA	Allarme alimentazione	-	Attivato	Chiusa	Quando il controllo è collegato alla batteria e l'alimentazione è interrotta, questo allarme appare mentre la valvola è in chiusura.	No

ACF1 o ACF2: Codice allarme (circuito 1/2) per "configurazione/selezione non permessa" L'allarme appare per le seguenti cause:

- Se due circuiti dell'EXD-SH2 sono collegati a due differenti tipi di trasduttori di pressione i.e. 4-20 mA e 0-5 V. E' necessario che i due circuiti siano sempre collegati ad una stessa tipologia di trasduttore di pressione.
- La funzione di controllo della temperatura è disponibile solo per le valvole EX4-8. Se vengono usate altri tipi di valvole, appare l'allarme ACF.
- Trasmettitori di pressione raziometrici non possono essere selezionati nel caso di R744.

• Quando sono presenti vari allarmi, questi vengono mostrati uno dopo l'altro sul display inferiore.

• Errore del sensore di pressione nel caso di trasmettitori di pressione raziometrici di terze parti dipende dal rilevamento dell'interruzione di due cavi (5 V e segnale da 0.5 - 4.5 V). Se solo il terzo cavo (terra) è aperto/interrotto, non viene rilevato nessun errore e il controllo riceve un segnale errato tra il 50% e 100% più alto. Questo segnale errato comporta un funzionamento improprio del controllo EXD-SH1/2 e può causare danni al sistema/compressore. EMERSON non è responsabile in questi casi.

Note:

Manutenzione / Troubleshooting:

Sintomo	Causa	Azione
Il surriscaldamento effettivo è parecchi gradi superiore o inferiore rispetto a quello impostato	Segnale non corretto dal sensore di temperatura o dal trasduttore di pressione	1- Verificare i sensori. 2- Assicurarsi che i cavi dei sensori non siano disposti vicino a cavi di potenza o alto voltaggio.
Surriscaldamento troppo basso, ritorni di liquido al compressore	1- Cablaggio valvola scorretto 2- Sensori difettosi	1- Verificare il cablaggio. 2- Verificare il sensore.
Valvola non completamente chiusa	1- Ingresso digitale ON 2- Errata impost. param. ut	1- La valvola chiude solo quando l'ingresso digitale è OFF. 2- Verificare impostazione parametro ut.
Surriscaldamento instabile (pendolazioni)	Evaporatore progettato per surriscaldamento più alto	Aumentare l'impostazione del surriscaldamento.
La valvola apre quando il controllo comanda di chiudere e viceversa	Cablaggio errato tra EXD-SH... e valvola	Sistemare il cablaggio.
EX8 non apre con alte differenze di pressione	Errata impost. param. ut	Verificare il parametro ut. (Valvole più grandi hanno maggiore coppia e correnti maggiori).
Il surriscaldamento impostato ha una deriva dopo mesi di funzionamento ininterrotto o di 24 V forniti costantemente all'ingresso digitale	Motore valvola necessita di sincronizzazione	Non ponticellare l'ingresso digitale in modo permanente. Interrompere l'ingresso digitale una volta alla settimana per 10 sec. nel caso in cui il compressore non si arresti mai.

Общая информация:

Контроллеры EXD-SH1/2 являются самодостаточными устройствами для управления температурой и перегревом. Контроллер EXD-SH1 предназначен для управления одним шаговым расширительным клапаном с биполярным двигателем, а EXD-SH2 – двумя независимыми расширительными клапанами с биполярным двигателем.

Таблица возможных применений:

Контроллер	Контур 1: Основная функция	Контур 2: Основная функция
EXD-SH1	Контроль температуры или перегрева	
EXD-SH2	Контроль температуры или перегрева	Контроль перегрева

Примечание:

У EXD-SH2 можно использовать только контур 1. В этом случае надо запретить использование контура 2, изменив нужным образом параметр C2. Датчики и клапаны для него также не нужны.

Коммутация к сети ModBus описывается не в данном документе, а в соответствующем Техническом Бюллетене.

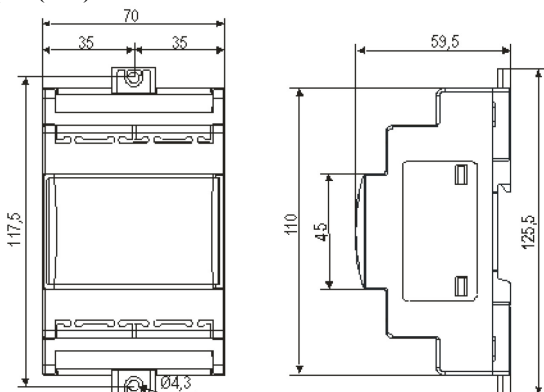
Технические данные:

Напряжение питания	24 В AC/DC +10%/-10% 50/60 Гц
Потребление энергии	EXD-SH1: 25 ВА EXD-SH2: 50 ВА
Разъёмы	Съёмные винтовые для провода 0,14 - 1,5 мм ²
Класс защиты	IP00
Датчики температуры	ECN-N... / TP1... (для температур до -45°C) ECN-Z... (для сверхнизких температур до -80°C)
Максимально окружающая температура / рабочих температур	0...+50°C
Максимальная длина кабеля между EXD-SH и EXD-PM	50 см AWG 18 поперечное сечение (≥ 1 мм ²)
Датчики давления	PT5N, PT5N-FLR или логометрические датчики
Выходной ток аварийного реле	Резистивная нагрузка 24 В AC/DC, 1 А Индуктивная нагрузка 24 В AC/DC, 0,5 А
Контакт замкнут:	Во время аварии
Контакт разомкнут:	Во время работы и/или выключенного питания
Шаговые двигатели	Клапаны: EX4-8 (EX4-7-FLR), CV4-7
Монтаж	На стандартную DIN - рейку
Маркировка	

⚠ Внимание:

EXD-SH1/2 (EXD-PM, ECP-024) являются потенциальными источниками воспламенения и не соответствуют требованиям АTEX. Установка только во взрывобезопасной среде. Для горючих хладагентов использовать только разрешенные клапаны и кабели!

Размеры (мм):

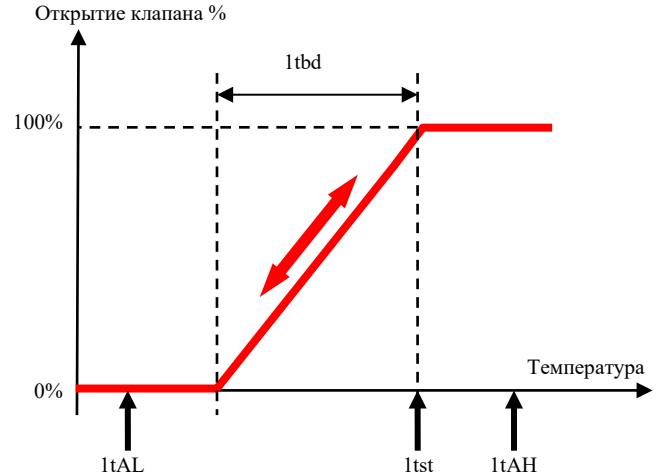


⚠ Инструкции по безопасности:

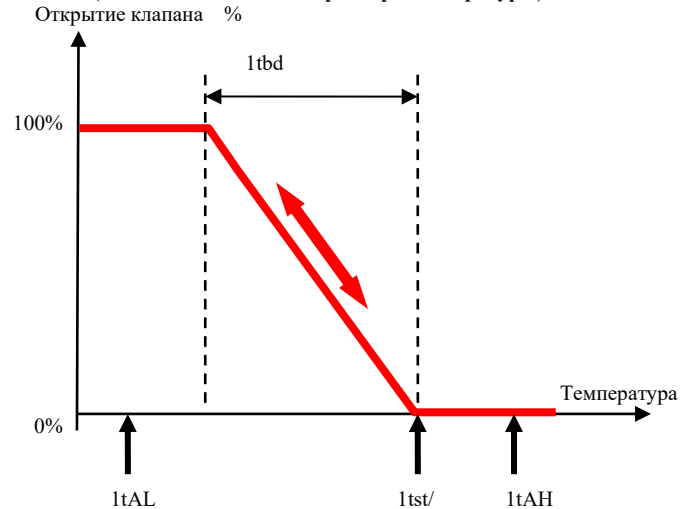
- Прочитайте инструкцию полностью. Неправильное подключение может стать причиной выхода из строя контроллера, поломки системы или травмы.
- Продукт предназначен для использования персоналом, имеющим специальное образование и соответствующие навыки.
- Перед монтажом или сервисным обслуживанием отсоедините электропитание от системы и устройства.

- Не включайте установку, пока не будут проведены все необходимые подключения.
- Не подавайте питание на контроллер до окончания монтажа.
- Проводите электрические подключения в соответствии с местными стандартами.
- Входы не изолированы, используйте «сухие» контакты.
- Утилизация: Электронные и электрические отходы НЕ ДОЛЖНЫ утилизироваться вместе с другими коммерческими отходами. Обязанность пользователя передать их в предназначенное место для безопасной переработки электрического и электронного оборудования (директива 2012/19/EU). Дополнительную информацию можно получить в местном центре по экологической утилизации отходов.

Прямое управление температурой (Работа в качестве контроллера температуры)



Обратное управление температурой (Работа в качестве контроллера температуры)



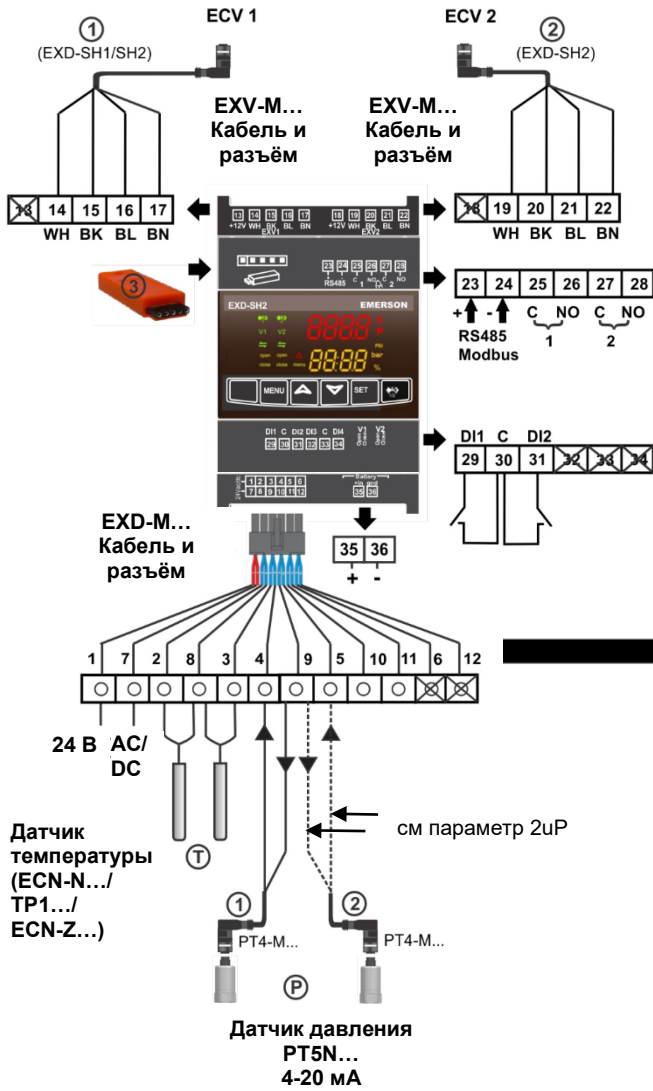
Электрические подключения:

- При проведении электрических подключений пользуйтесь схемой.
- Внимание:** Размещайте контроллер и провода датчиков на расстоянии минимум 30 мм от кабелей питания.
- При подключении EXV-M... (электрический разъём клапана) соблюдайте следующий порядок подключения:
EXV-M...: WH: Белый; BK: Чёрный; BN: Коричневый; BL: Синий
- Цифровые входы DI1 (EXD-SH1/SH2) и DI2 (EXD-SH2) предназначены для соединения EXD-SH1/2 и системного контроллера верхнего уровня (если Modbus не используется). Внешние цифровые входы должны иметь «сухие» контакты и их состояние должно зависеть от работы компрессора.

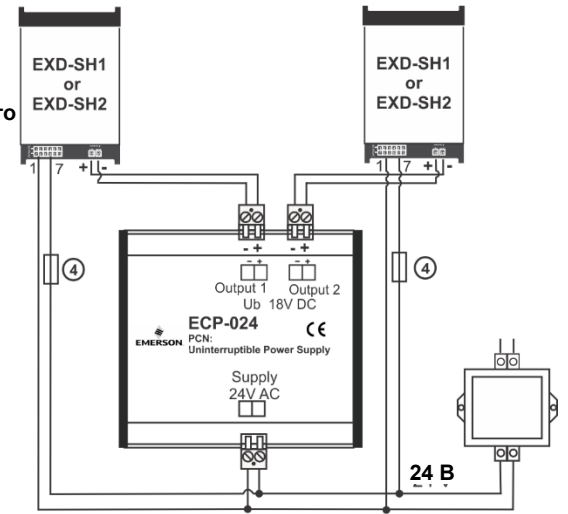
Условия работы	Цифровой вход
Компрессор запускается / работает	Замкнут / 24 В (Старт)
Компрессор остановлен	Разомкнут / 0 В (Стоп)

Внимание: Подключение любого из входов EXD-SH1/2 к напряжению питания приведёт к повреждению EXD-SH1/2.

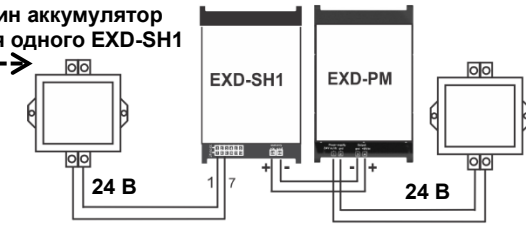
Варианты подключения: ИБП (ECP-024) / Аккумулятор (EXD-PM)



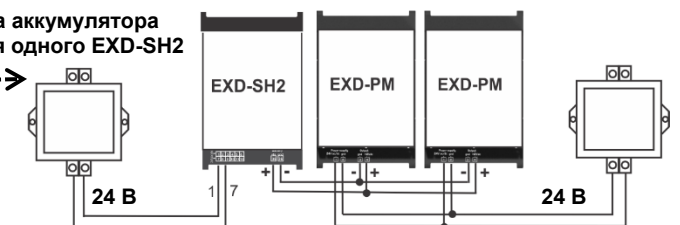
Источник бесперебойного питания (ИБП) для двух контроллеров



Один аккумулятор для одного EXD-SH1



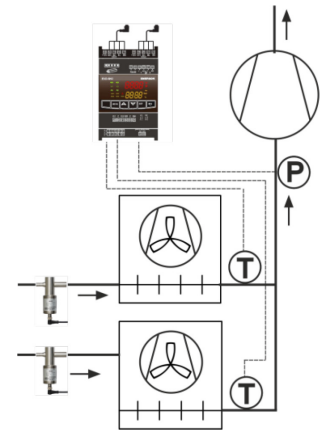
Два аккумулятора для одного EXD-SH2



- Внимание:**
- Для питания 24 В AC используйте трансформаторы категории II. Не заземляйте провода 24 В AC. Мы рекомендуем использовать индивидуальные трансформаторы для контроллеров EXD-SH1/2 (и/или других) во избежание возможного влияния проблем с питанием и заземлением.
 - Если используется EXD-PM, необходимо иметь индивидуальный трансформатор и для EXD-SH... и для EXD-PM.

①	Контур 1 (EXD-SH1/SH2)		Расширительный клапан контура 1 (ECV1) EXV-M... Цвета электрических проводов WH-белый BK-чёрный BL-синий BN-коричневый
②	Контур 2 (EXD-SH2)	14-17	Расширительный клапан контура 2 (ECV2) EXV-M... Цвета электрических проводов WH-белый BK-чёрный BL-синий BN-коричневый
③	Ключ загрузки/выгрузки	19-22	Аварийное реле контура 1 (C,NO) – для 24 В AC/DC
1 и 7	Напряжение питания 24 В AC/DC	23 и 24	Аварийное реле контура 2 (C, NO) – для 24 В AC/DC
2 и 8	Датчик температуры контура 1	25 и 26	Цифровой вход контура 1 (DI1) – «Сухой» контакт
3 и 8	Датчик температуры контура 2	27 и 28	Цифровой вход контура 2 (DI2) – «Сухой» контакт
4 и 5	PT5N... контура 1 и контура 2 (белый провод: сигнал 4 – 20 мА)	29 и 30	Подключение батареи / аккумулятора
9	+ 12 В DC Вход напряжения для PT5N... (коричневый провод)	31 и 30	Предохранитель EXD-SH1 (1А), EXD-SH2 (2А)
Логометрический датчик давления от другого изготовителя: Внимание: Об ошибках таких датчиков написано на последней странице		35 и 36	Не используются (клеммы EXD-SH12)
4 и 5	Датчики давления контура 1 и контура 2 (сигнал 0.5 - 4.5 В)	④	
11	+ 5 В DC вход по напряжению	6, 12, 13, 18, 32-34	
10	GND Заземление		

*) параметр 2uP с номером 9 = Датчик давления от замыкание! используется



Подготовка к пуску:

- Отвакуумируйте холодильный контур.
- Внимание:** Шаговые клапаны поставляются частично открытыми. Не заправляйте систему хладагентом до полного закрытия клапана.
- Подайте напряжение питания 24 В на EXD-SH1/2 при разомкнутом цифровом входе (DI1/DI2). Клапан начнёт закрываться.
- После закрытия клапана начинайте заправлять систему хладагентом.

Установка параметров:

(Параметры необходимо ещё раз проверить перед запуском)

- Убедитесь, что цифровой вход (DI1/DI2) разомкнут (0 В). Подайте напряжение питания 24 В на EXD-SH1/2.
- Параметры пароль (H5), тип функции (1Fct), тип хладагента (1u0/2u0), тип датчика давления (1uP/2uP) и масштабирование (1uF/2uF) можно настраивать только при разомкнутом (0 В) цифровом входе DI1/DI2. Это даёт дополнительную защиту от случайного повреждения компрессора и других компонентов системы.
- После выбора/сохранения главных параметров EXD-SH1/2 готов к запуску. Все остальные параметры можно изменять в любое время, как во время работы системы, так и во время её остановки.

Дисплей / клавиатура: (светодиоды и кнопки)



Описание дисплея:

	Выбор основной функции		
	Управление перегревом		Управление температурой
	Компрессор ВКЛ	Компрессор ВЫКЛ	
Верхний дисплей:	Перегрев (K/F)	Перегрев (K/F)	Температура (°C/F)
Нижний дисплей:	Открытие клапана (%)	Давление всасывания (бар / psig)	Открытие клапана (%)

Внимание: если значение перегрева мигает – контроллер обрабатывает функцию MOR.

Режим мгновенного отображения значений:

- Контроллер показывает параметры одного контура в одно время.
- Переключение контуров по нажатию кнопки (только для EXD-SH2).
- При нажатии кнопки режим мгновенного отображения значений может быть включён или выключен, что позволяет проверить измеряемые значения в режиме реального времени в соответствии с таблицей:

Значение верхнего дисплея	Код нижнего дисплея
Перегрев (K/F)	SH
Открытие клапана (%)	OPEn
Температура всасывания (°C/°F)	tASP
Давление всасывания (бар / psig)	PEuA
Температура насыщения (°C/°F)	tEuA
Вариант: (0A)	SH1 или SH2
Повторное отображение значений	

Режим изменения параметров:

Изменение параметров защищено цифровым паролем. Пароль по умолчанию “12”. Для изменения параметров:

- Нажмите кнопки и , удерживайте их не менее 5 секунд.
- На верхнем дисплее загорится мигающий “0”, а на нижнем – “PAS”.
- Нажимайте пока не загорится “12”; (пароль).
- Нажмите для подтверждения пароля.
- Нажмите или для выбора кода параметра (см. Таблицу кодов параметров) который необходимо изменить.
- Нажмите для выбора и регулировки значения параметра.
- Нажимайте или для увеличения / уменьшения значения параметра.
- Нажмите для подтверждения нового значения. Выбранное значение будет мигать некоторое время, а затем дисплей покажет следующий доступный код параметра.
- При необходимости повторите процедуру для следующего параметра.

Выход и сохранение новых значений:

- После изменения нужных параметров нажмите для сохранения новых значений и выхода из процедуры изменения параметров.

Выход без сохранения:

- Нажмите и для отмены изменения параметров и уничтожения всех сделанных изменений.
- Другим способом выхода без сохранения изменений является пауза в течение по крайней мере 120 секунд (TIME OUT) без нажатия какой-либо кнопки.
- Внимание:** В режиме изменения параметров контроллер отображает код параметра на нижнем дисплее, а значение параметра на нижнем дисплее.

Специальные функции: (Возврат настроек, Сброс аварий)

- Нажмите кнопки и удерживайте их не менее 5 секунд.
- Загорается мигающий “0”.
- Нажимайте пока не появится “12”; (если пароль по умолчанию был изменён, необходимо ввести новый пароль)
- Нажмите для подтверждения пароля
- Выберите специальную функцию так, как это описано выше, в режиме изменения параметров

Специальные функции:

Отображаемое значение	Код
Возврат заводских настроек	-Fdt
Сброс аварий (только ручной)	ALrg

- Заводская настройка для каждой функции - 0, когда устанавливается 1, соответствующая функция работает.
- Возврат заводских настроек контроллера (-Fdt) возможен, только если цифровой вход DI1/DI2 разомкнут.

Ручное управление клапаном (сервис /обслуживание):

- Нажмите и удерживайте не менее 5 секунд
- Выбирайте, изменяйте и сохраняйте параметры так, как это описано в выше, в режиме изменения параметров

Код	Описание параметра и возможности для выбора	Мин	Макс	Заводская настройка	Новое значение
1Ho	Ручное управление; контур 1 0 = отключено; 1 = включено	0	1	0	
1HP	Открытие клапана (%)	0	100	0	
2Ho	Ручное управление; контур 2 0 = отключено; 1 = включено	0	1	0	
2HP	Открытие клапана (%)	0	100	0	

Внимание: При ручном управлении клапанами аварийные сигналы, такие, например, как низкий перегрев, отсутствуют, поэтому необходимо контролировать систему. Ручное управление предназначено для проведения сервисных операций или для временного управления в особых условиях. После завершения операции установите параметры 1Ho и 2Ho на 0, после чего контроллер продолжит управлять клапанами в автоматическом режиме в соответствии со своими уставками.

Список параметров при прокрутке нажатием кнопки

Код	Описание параметра и возможности выбора	Мин	Макс	Заводская настройка
H5	Пароль	1	1999	12
Adr	Адрес ModBus	1	127	1
br	Скорость передачи данных Modbus	0	1	0
PAr	Чётность Modbus	0	1	0
-C2	Использование Контура 2 в EXD-SH2 0 = отключено; 1 = включено;	0	1	1
-uC	Единицы измерения 0 = °C, K, бар; 1 = °F, psig	0	1	0
Параметры контура 1				
1Fct	Функция 0 = управление перегревом; 1 = прямое управление температурой; 2 = обратное управление температурой;	0	2	0
1u4	Режим управления 0 = стандартный 1 = медленный; 2 = промежуточный контроль 3 = настр.фикс. PID	0	2	0
1u0	Тип хладагента 0 = R22 1 = R134a 2 = R507 3 = R404A 4 = R407C 5 = R410A 6 = R124 7 = R744 8 = R407A 9 = R407F 10 = R23 11 = R32* 12 = R1234ze* 13 = R448A 14 = R449A 15 = R450A 16 = R513A 17 = R290* 18 = R1270* 19 = R454C* 20 = R452B* 21 = R454B* 22 = R454A* 23 = R452A 24 = R444B* 25 = R455A* 26 = R1233zde* 27 = R1234yf*	0	27	1
1uP	Тип датчика давления 0 = PT5N-07x 1 = PT5N-18x 2 = PT5N-30x 3 = PT5N-50x 4 = PT5N-150D 5 = PT5N-10P-FLR 6 = Логометрический (изб) 7 = Логометрический (абс) 8 = Modbus	0	8	1
1Pr	Логометрический диапазон (бар)	3	60	30
1ut	Тип клапана 0 = EX4-6(FLR) 1 = EX7(FLR) 2 = EX8 3 = N/A 4 = N/A 5 = N/A 6 = N/A 7 = N/A 8 = N/A 9 = N/A 10 = CV4 11 = CV5-6 12 = CV7	0	12	0
1uF	Масштабирование клапана (%)	5	100	100
1uu	Стартовое открытие (%)	0	100	10
1u9	Длительность стартового открытия (с)	0	120	5
1uL	Авария по низкому перегреву 0 = отключена 1 = включён автоматический сброс 2 = включен ручной сброс Срабатывание при 0.5К (если длится 1 мин.); Немедленный возврат на 3К	0	2	1
1u5	Уставка перегрева (К) Диапазон = 3-30 К если 1uL = 1 или 2, Диапазон = 0.5-30 К если 1uL = 0			6
1u2	Функция MOP 0 = отключена 1 = включена;	0	1	1
1u3	Уставка т-ры насыщения MOP (°C) Заводская настройка соответствует выбранному хладагенту (1u0) и может быть изменена.	(см. таблицу MOP)		
1P9	Авария по низкому давлению (НД) 0 = отключена 1 = автоматический сброс 2 = ручной сброс	0	2	0
1PA	Отключение по НД (бар)	-0.8	17.7	0
1Pb	Задержка аварии по НД (сек)	5	199	5
1Pd	Включение после аварии по НД (бар)	-0.5	18	0.3
1P4	Авария по замерзанию 0 = отключена 1 = автоматический сброс 2 = ручной сброс	0	2	0
1P2	Отключение по замерзанию (°C)	-5	5	0
1P5	Задержка аварии по замерзанию (сек)	5	199	30
1P-	Управление перегревом контура 1 (Фактор Kp) Дисплей 1/10К	0.1	10	1.0
1i-	Управление перегревом контура 1 (Фактор Ti)	1	350	100
1d-	Управление перегревом контура 1 (Фактор Td) Дисплей 1/10К	0.1	30	3.0
1uH	Авария по высокому перегреву (ВП) 0 = отключена 1 = автоматический сброс;	0	1	0
1uA	Уставка аварии по ВП (К)	16	40	30
1ud	Задержка аварии по ВП (мин)	1	15	3
1tSt	Уставка контроля температуры (°C)	-50	50	4
1tbd	Регулировка по температуре (К)	1	10	2
1tAF	Авария по температуре 0 = отключена; 1 = включена	0	1	0
1tAL	Уставка минимальной температуры (°C)	-80	50	0
1tdL	Задержка аварии по минимальной температуре (мин)	1	10	3
1tAH	Уставка максимальной температуры (°C)	-50	50	15
1tdH	Задержка аварии по максимальной температуре (мин)	1	10	3
1tt	Тип датчика температуры 0 = ECN-Nxx (-45...+40°C) / TP1-...(-45...+150°C) 1 = ECN-Z60 (-80°C...-40°C) R23	0	1	0

Код	Описание параметра и возможности выбора	Мин	Макс	Заводская настройка
Параметры контура 2 (только для EXD-SH2)				
2u4	Режим управления 0 = стандартный 1 = медленный 2 = промежуточный контроль 3 = настр.фикс. PID	0	2	0
2u0	Тип хладагента 0 = R22 1 = R134a 2 = R507 3 = R404A 4 = R407C 5 = R410A 6 = R124 7 = R744 8 = R407A 9 = R407F 10 = R23 11 = R32* 12 = R1234ze* 13 = R448A 14 = R449A 15 = R450A 16 = R513A 17 = R290* 18 = R1270* 19 = R454C* 20 = R452B* 21 = R454B* 22 = R454A* 23 = R452A 24 = R444B* 25 = R455A* 26 = R1233zde* 27 = R1234yf*	0	27	1
2uP	Тип датчика давления 0 = PT5N-07x 1 = PT5N-18x 2 = PT5N-30x 3 = PT5N-50x 4 = PT5N-150D 5 = PT5N-10P-FLR 6 = Логометрический (изб) 7 = Логометрический (абс) 8 = Modbus 9 = Датчик давления от замыкание1 используется (1UP)	0	9	1
2Pr	Логометрический диапазон (бар)	3	60	30
2ut	Тип клапана 0 = EX4-6(FLR) 1 = EX7(FLR) 2 = EX8 3 = N/A 4 = N/A 5 = N/A 6 = N/A 7 = N/A 8 = N/A 9 = N/A 10 = CV4 11 = CV5-6 12 = CV7	0	12	0
2uF	Масштабирование клапана (%)	5	100	100
2uu	Стартовое открытие (%)	0	100	10
2u9	Длительность стартового открытия (с)	0	120	5
2uL	Авария по низкому перегреву 0 = отключена 1 = включён автоматический сброс 2 = включен ручной сброс Срабатывание при 0.5К (если длится 1 мин.); Немедленный возврат на 3К	0	2	1
2u5	Уставка перегрева (К) Диапазон = 3-30 К если 2uL = 1 или 2, Диапазон = 0.5-30 К если 2uL = 0			6
2u2	Функция MOP 0 = отключена 1 = включена;	0	1	1
2u3	Уставка т-ры насыщения MOP (°C). Заводская настройка соответствует выбранному хладагенту (2u0) и может быть изменена.	(см. таблицу MOP)		
2P9	Авария по низкому давлению (НД) 0 = отключена 1 = автоматический сброс 2 = ручной сброс	0	2	0
2PA	Отключение по НД (бар)	-0.8	17.7	0
2Pb	Задержка аварии по НД (сек)	5	199	5
2Pd	Включение после аварии по НД (бар)	-0.5	18	0.3
2P4	Авария по замерзанию 0 = отключена 1 = автоматический сброс 2 = ручной сброс	0	2	0
2P2	Отключение по замерзанию (°C)	-5	5	0
2P5	Задержка аварии по замерзанию (сек)	5	199	30
2P-	Управление перегревом контура 2 (Фактор Kp) фикс ПИД, Дисплей 1/10К	0.1	10	1.0
2i-	Управление перегревом контура 2 (Фактор Ti), фикс ПИД	1	350	100
2d-	Управление перегревом контура 2 (Фактор Td), фикс ПИД, Дисплей 1/10К	0.1	30	3.0
2uH	Авария по высокому перегреву (ВП) 0 = отключена 1 = автоматический сброс;	0	1	0
2uA	Уставка аварии по ВП (К)	16	40	30
2ud	Задержка аварии по ВП (мин)	1	15	3
2tt	Тип датчика температуры 0 = ECN-Nxx (-45...+40°C) / TP1-...(-45...+150°C) 1 = ECN-Z60 (-80°C...-40°C) R23	0	1	0

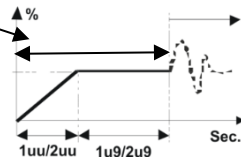
1*) Внимание:
EXD-SH1/2 (EXD-PM, ECP-024) являются потенциальными источниками воспламенения и не соответствуют требованиям АТЕХ. Установка только во взрывобезопасной среде. Для горючих хладагентов использовать только разрешенные клапаны и кабели!

Таблица заводских настроек MOP (°C):

R...	Мин	Макс (°C)	R...	Мин	Макс (°C)	R...	Мин	Макс (°C)
R22	-70	+50	R23	-70	-18	R452B	-45	+66
R134a	-57	+66	R32	-52	+30	R454B	-40	+45
R507	-75	+42	R1234ze	-57	+66	R454A	-57	+66
R404A	-76	+42	R448A	-57	+66	R452A	-45	+66
R407C	-66	+48	R449A	-57	+66	R444B	-45	+66
R410A	-52	+30	R450A	-57	+66	R455A	-57	+66
R124	-45	+91	R513A	-57	+66	R1233zde	-45	+90
R744	-40	-4	R290	-66	+48	R1234yf	-52	+66
R407A	-66	+48	R1270	-66	+48			
R407F	-66	+48	R454C	-66	+48			

Поведение клапана с заводскими настройками при запуске:
(1uu + 1u9) / (2uu + 2u9)

- EX4/5/6 ≤ 5.3 секунд
- EX7 ≤ 5.6 секунд
- EX8 ≤ 5.9 секунд
- CV4 ≤ 5.3 секунд
- CV5/6 ≤ 5.3 секунд
- CV7 ≤ 6.6 секунд



Ключ загрузки/выгрузки: Функция

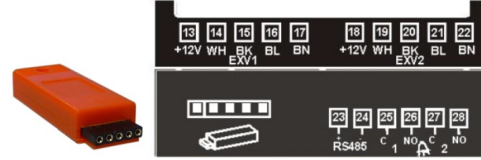
Для серийной продукции (системы/агрегаты), ключ загрузки/выгрузки позволяет передавать сконфигурированные параметры для однотипной продукции.

Загрузка (запись сконфигурированных параметров на ключ):

- Вставьте ключ во включенный контроллер и нажмите кнопку ; появится сообщение “uPL”, а затем через 5 сек сообщение “End”.
- **Внимание:** Появление сообщения “Err” означает сбой записи. Повторите вышеописанную процедуру.

Выгрузка (запись сконфигурированных параметров с ключа на другие контроллеры):

- Выключите питание нового контроллера.
- Вставьте ключ с параметрами в новый контроллер и включите его питание.
- Параметры с ключа автоматически выгрузятся в память нового контроллера; сначала появится сообщение “doL”, а затем через 5 сек сообщение “End”.
- Новый контроллер начнет работать с загруженными параметрами после исчезновения сообщения “End”.
- Удалите ключ.
- **Внимание:** Появление сообщения “Err” означает сбой записи. Повторите вышеописанную процедуру.



Обработка ошибок и аварий:

Код аварии	Описание	Параметр	Аварийное реле	Клапан	Что делать?	Требуется ли ручная сброс после снятия аварии?
1E0/2E0	Ошибка датчика давления контура 1/2	-	Сигнализирует	Закрыт	Проверьте электрические подключения и замерьте сигнал.	Нет
1E1/2E1	Ошибка датчика температуры контура 1/2	-	Сигнализирует	Закрыт	Проверьте электрические подключения и замерьте сопротивление датчика.	Нет
1П/2П-	Ошибка электрического подключения клапана контура 1/2	-	Сигнализирует	-	Проверьте электрические подключения и замерьте сопротивление обмотки.	Нет
AFE 1/2	Защита от замерзания контура 1/2	1P4/2P4: 1	Сигнализирует	Закрыт	Проверьте систему для обнаружения причины низкого давления: недозагрузка испарителя итд.	Нет, если ВКЛ
AFE 1/2		1P4/2P4: 2	Сигнализирует	Закрыт		Да, если мигает
LSH 1/2	Низкий перегрев (<0,5K)	1uL/2uL: 1	Сигнализирует	Закрыт	Проверьте подключение и работу клапана	Нет, если ВКЛ
LSH 1/2		1uL/2uL: 2	Сигнализирует	Закрыт		Да, если мигает
1tAL	Температура ниже минимальной	1tAL	Сигнализирует	Закрыт	Проверьте подключение и работу клапана, размер клапана и нагрузку на систему.	Нет
1tAH	Температура выше максимальной	1tAH	Сигнализирует	Закрыт		Нет
HS1 1/2	Высокий перегрев в контуре 1/2	1uH/2uH: 1	Сигнализирует	Работает	Проверьте систему.	Нет
LOP 1/2	Низкое давление в контуре 1/2	1P9/2P9: 1	Сигнализирует	Работает	Проверьте систему для обнаружения причины низкого давления: нехватка хладагента итд.	Нет, если ВКЛ
LOP 1/2		1P9/2P9: 2	Сигнализирует	Работает		Да, если мигает
Err	Авария загрузки / выгрузки	-	-	-	Повторите процедуру.	Нет
ACEr	Авария Modbus	-	-	-	Проверьте подключение Modbus. Внимание: Авария Modbus (ACEr) обнаруживается в случае, если используется датчик давления совместимый с Modbus и соответствующий контур находится в работе.	Нет
PFA	Авария питания	-	Сигнализирует	Закрыт	Если контроллер подключен к источнику питания, и питание прервано, этот код аварии будет гореть, пока клапан закрывается.	Нет

ACF1 или ACF2: Код аварии (контур1/2) для “недопустимой конфигурации/выбора” Авария сигнализируется в следующих случаях:

- Если два контура EXD-SH2 подключены к разным типам датчиков давления: 4-20 мА и 0-5 В. Необходимо, чтобы оба контура были подключены к датчикам давления одного типа.
- Функция контроля температуры доступна только для клапанов EX4-8. При использовании других клапанов загорится сигнал аварии ACF.
- Логометрические датчики давления не могут быть выбраны для работы с R744.

Внимание:

Сервис / Поиск неисправностей:

Симптом	Причина	Действие
Рабочий перегрев на несколько градусов выше или ниже уставки	Неправильный сигнал от датчика давления или температуры	1- Проверьте датчики 2- Убедитесь, что кабели датчиков не проходят рядом с силовыми кабелями
Рабочий перегрев слишком мал, т.е. у компрессора влажный ход	1-Неправильное подключение ЭРВ 2-Неисправные датчики	1- Проверьте подключение 2- Проверьте датчики
Вентиль не закрывается полностью	1-Цифровой вход ВКЛ 2-Неправ-я настройка параметра ut.	1-Вентиль закрывается только когда цифр.вход выключен 2-Проверьте настройку параметра ut
Нестабильный перегрев (рыскание)	Испаритель предназначен для работы с большим перегревом	Увеличьте уставку перегрева
Вентиль открывается, когда EXD дает команду на закрытие и наоборот	Неправильное соединение между EXD-SH... и вентилем	Обеспечьте правильное соединение
EX8 не может открыться при высокой разнице давлений	Неправильная настройка параметра ut	Проверьте параметр ut. (Большой вентиль требует большего усилия и большего тока)
Уставка перегрева изменяется после нескольких месяцев непрерывной работы или с постоянно замкнутым цифровым входом 24 В	Вентиль с шаговым двигателем требует синхронизации	Не перегружайте постоянно цифровой вход. Если компрессор никогда не останавливается, размыкайте цифровой вход раз в неделю на 10 секунд.

- Если одновременно имеет место несколько аварий, они будут показываться одна за другой на нижнем дисплее.
- Авария датчика давления для логометрического датчика стороннего изготовителя основана на определении обрыва двух проводов (5 В и сигнала 0.5 - 4.5 В). Если оборван только третий провод (земля), ошибка не определяется и контроллер получает неверные значения, которые выше истинных на 50% - 100%. Неверные значения приведут к неправильной работе контроллера EXD-SH1/2 и могут привести к повреждению компрессора или холодильной системы. В таких случаях EMERSON не несет ответственности.