

The LCL Take-Apart series is a desuperheating (Liquid Injection) valve used in conjunction with hot gas bypass to prevent excessive suction line superheat. LCL valves can be used for interstage cooling in compound systems.

Features

- Stainless steel power element eliminates corrosion and prevents valve failure
- Take-Apart construction for easy field service

Options

- Interchangeable, replaceable cages for versatility
- External superheat adjustment
- Interchangeable body flanges
- Interchangeable power assemblies



Specifications

- Maximum working pressure: 450 psig

Nomenclature example: LCLE 2 B 5 FT 3/8 x 1/2 ODF S/T

LCL	E	2	B	5 FT	3/8 x 1/2	ODF	S/T
Valve Series De-Superheating Liquid Injection Take-Apart	Equalizer E=External (Omit for Internal)	Capacity Nominal NOTE: This is not system capacity (Contact Application Engineering for sizing)	Refrigerant Code	Capillary Tube Length 5 FT (std)	Inlet x Outlet Connection Sizes (see table below)	Connection Type SAE = flare ODF=solder	Configuration ANG = 90° angle S/T = straight-thru

Ordering Information

Description	Equalizer Type	PCN By Charge			Connections
		Select From Table Below			
		A	B	C	
LCL 1	Internal	022018	022017	--	Same as TCL & TCLE
LCL 2		022005	021996	045527	
LCL 3		055093	021987	--	
LCL 6		047759	--	--	
LCLE 1	1/4"SAE External	055096	--	--	
LCLE 2		022003	021997	--	
LCLE 3		021991	021985	--	
LCLE 4		--	061054	055097	

NOTE: Add charge suffix symbol "A", "B", or "C" based on the following table.
Example: LCLE4-A

Replacement Valve Guide

If have:	Replace with:
LA(E)S 1/2	LCL 1
LA(E)S 1	LCL 2
LA(E)S 2	LCL 3
LA(E)S 3	LCL 4
LA(E)S 5	LCL 6
LCL 5	LCL 6
LCLE 5	LCLE 6
LCL 8	LCL 9
LCLE 8	LCLE 9

Note: Valve sizes LCL5, LCL8, LCLE5 and LCLE8 are OBSOLETE.

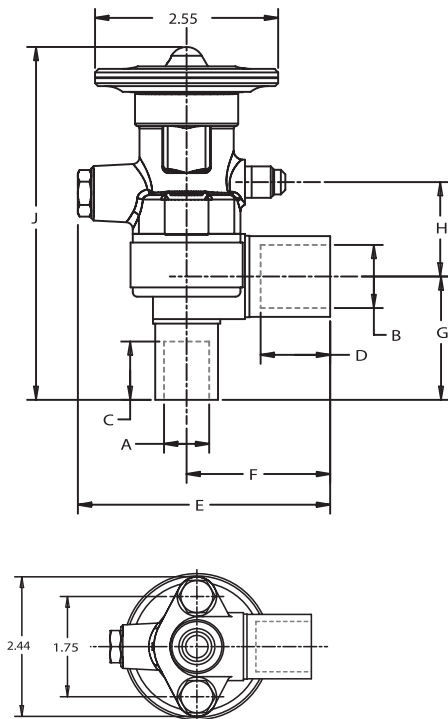
LCL (LA) Charge Codes

Saturated Suction	Refrigerant					
	R-134A		R-22		R-404A/R-507	
	Required Suction Gas		Required Suction Gas		Required Suction Gas	
TEMP.	45°F	65°F	45°F	65°F	45°F	65°F
40°F	--	B (GL)	--	A (CL)	--	--
30°F	B (GL)	B (GL)	--	A (CL)	--	A (CL)
20°F	B (GL)	C (UL)	A (CL)	B (GL)	--	A (CL)
10°F	B (GL)	C (UL)	B (GL)	B (GL)	A (CL)	B (GL)
0°F	C (UL)	C (UL)	B (GL)	B (GL)	A (CL)	B (GL)
-10°F	C (UL)	C (UL)	B (GL)	C (UL)	B (GL)	B (GL)
-20°F	C (UL)	C (UL)	B (GL)	C (UL)	B (GL)	C (UL)
-30°F	C (UL)	C (UL)	C (UL)	C (UL)	B (GL)	C (UL)
-40°F	C (UL)	C (UL)	C (UL)	C (UL)	B (GL)	C (UL)

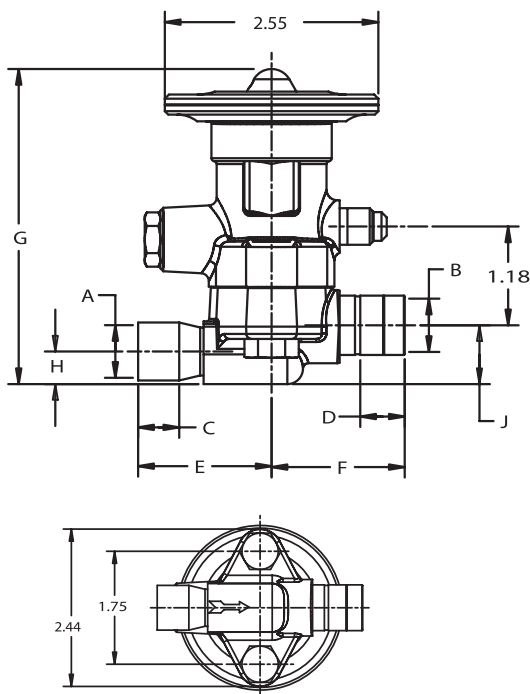
() Denotes LA Series valve charge code.

Dimensional Data

Angle



Straight-Thru



LCL(E) Dimensional Data (in)

LCL Angle

Connection Size		A	B	C	D	E	F	G	H	J
Inlet	Outlet			MIN.	MIN.					
3/8 SAE	1/2 SAE					3.06	1.50	1.13	1.20	4.14
3/8 SAE	5/8 SAE					3.19	1.63	1.13	1.20	4.14
1/2 SAE	5/8 SAE					3.19	1.63	1.38	1.20	4.39
1/4 ODF	3/8 ODF	0.25	0.38	0.31	0.31	2.91	1.34	0.94	1.20	3.95
3/8 ODF	1/2 ODF	0.38	0.50	0.31	0.38	3.03	1.47	1.06	1.20	4.11
3/8 ODF	5/8 ODF	0.38	0.63	0.31	0.50	3.16	1.59	1.06	1.20	4.11
1/2 ODF	5/8 ODF	0.50	0.63	0.38	0.50	3.16	1.59	1.90	1.20	4.20
5/8 ODF	7/8 ODF	0.63	0.88	0.50	0.75	3.56	2.00	1.69	1.20	4.83

LCL Straight Thru

3/8 SAE	1/2 SAE					1.78	1.98	3.70	0.38	0.69
3/8 SAE	5/8 SAE					1.78	2.16	3.70	0.38	0.69
1/2 SAE	1/2 SAE					1.97	1.56	3.70	0.38	0.69
3/8 ODF	1/2 ODF	0.38	0.50	0.31	0.38	1.41	1.58	3.69	0.38	0.69
3/8 ODF	5/8 ODF	0.38	0.63	0.31	0.50	1.41	1.63	3.69	0.36	0.67
1/2 ODF	1/2 ODF	0.50	0.38	0.38	0.38	1.41	1.56	3.70	0.38	0.69
1/2 ODF	5/8 ODF	0.50	0.63	0.38	0.50	1.59	1.63	3.69	0.36	0.67
5/8 ODF	5/8 ODF	0.63	0.63	0.50	0.50	1.59	1.63	3.70	0.38	0.69
5/8 ODF	7/8 ODF	0.63	0.88	0.50	0.75	1.59	1.94	3.70	0.38	0.69
5/8 ODF	1-1/8 ODF	0.88	1.13	0.50	0.91	1.59	2.38	3.70	0.38	0.69
7/8 ODF	1-1/8 ODF	0.88	1.13	0.75	0.91	1.94	2.38	3.81	0.38	0.69

Allow 2-1/8" above valve for removal of power assembly.

Remote Bulb Dimensions

Capillary Tubing Length (Ft)	Standard Remote Bulb	
	Diameter	Length
5	5/8	3-1/16
10		3-9/16
15 or 20		4-13/16