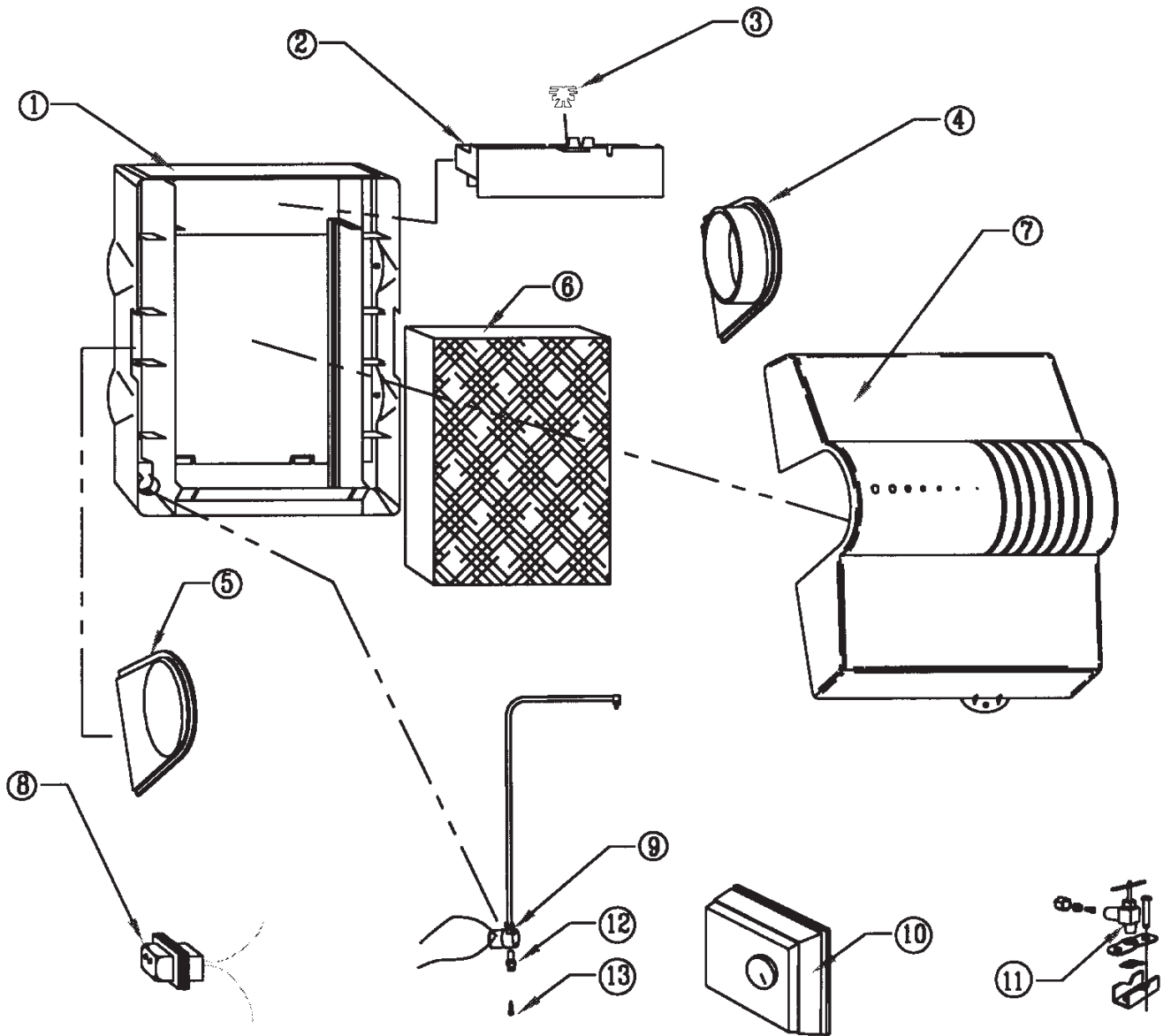


REPLACEMENT PARTS LIST

White-Rodgers™

HFT2700



ITEM NO.	DESCRIPTION	MODEL NUMBER
1	MOUNTING BASE	000-1730-091
2	DRIP TRAY	000-0602-055
3	WICK	N/A
4	SIDE PIECE WITH COLLAR	NLA
5	SIDE PIECE W/O COLLAR	N/A
6	EVAPORATOR PAD INCLUDES KEY	PAD-A04-1725-051
7	COVER	N/A
8	TRANSFORMER 24V, 10 VA, 120V PRIMARY	000-0814-008
9	24V SOLENOID VALVE (UNIVERSAL KIT)	WRA01-0814-148
10	HUMIDISTAT ASSEMBLY	2271-100
11	SADDLE VALVE ASSEMBLY	A00-1128-005
12	ORIFICE .020DIA.	000-1106-030
13	IN-LINE FILTER	000-1319-051
†	22.5" TUBING	NLA
†	CURRENT SENSING RELAY	A50

† Not Shown