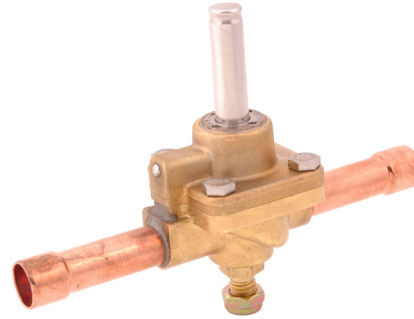


The 540RA is a 2-way, normally open diaphragm valve. 540RA valves are used for liquid, suction and hot gas service.

Features

- One Coil fits all sizes
- Can be brazed into the line without disassembly
- PTFE diaphragm
- Extended ends for easy installation (standard)
- Long-life molded coils
- Low pressure differential required for full opening



Specifications

- Maximum fluid temperature: 250°F
- Maximum working pressure: 500 psig
- MOPD: 250 psig
- UL/CUL file number: MP604

NOTE: Mounting enclosing tube more than 90° off vertical up position is not recommended.

Nomenclature example: 540RA 8T5 VLC

540R	A	8	T	5	VLC
Valve Series	Design Series	Port Size (in 1/16")	Connection Type T = copper extended ends	Connection Size (in 1/8")	Coil*

* NOTE: Valves are shipped without the solenoid coils (VLC = Valve Less Coil). See coil assemblies for availability.

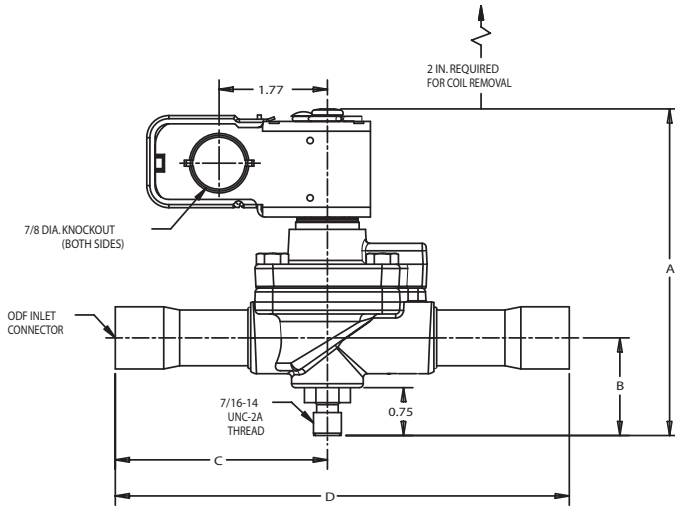
Ordering Information and Nominal* Liquid Capacity Table – Tons (kW)

PCN		Description	Connection Size	R-134a	R-450A/R-513A	R-22	R-407C	R-404A/R-507	R-448A/R-449A
Standard Valve	Mounting Stud ¹								
	058573	540RA 8 T 4	1/2 ODF	12.1 (42.6)	10.8 (37.8)	15.6 (54.9)	14.8 (52.1)	10.3 (36.2)	15.7 (55.1)
060392	046265	540RA 8 T 5	5/8 ODF						
	046266	540RA 9 T 5	5/8 ODF	18.0 (63.3)	16.1 (56.5)	23.3 (81.9)	22.1 (77.2)	15.3 (53.8)	23.4 (82.3)
060395	046268	540RA 9 T 7	7/8 ODF	23.6 (83.0)	21.0 (74.0)	30.5 (107.27)	29.0 (102.0)	20.1 (70.7)	30.6 (107.7)
060396	047497	540RA 9 T 9	1 1/8 ODF						
060397	046269	540RA 12 T 7	7/8 ODF	27.1 (95.3)	24.1 (84.6)	34.9 (122.7)	33.2 (116.8)	23.0 (80.9)	35.0 (123.2)
060398	047498	540RA 12 T 9	1 1/8 ODF						
060399	046270	540RA 16 T 9	1 1/8 ODF	45.0 (158.3)	40.0 (140.6)	58.0 (203.9)	55.2 (194.1)	38.3 (134.7)	58.2 (204.8)
	047953	540RA 16 T 11	1 3/8 ODF						
060402	047954	540RA 20 T 13	1 5/8 ODF	70.9 (249.4)	65.8 (231.3)	95.4 (335.5)	90.8 (319.3)	65.7 (231.1)	95.8 (336.8)

¹ Add "T" to the end of description for Mounting Stud

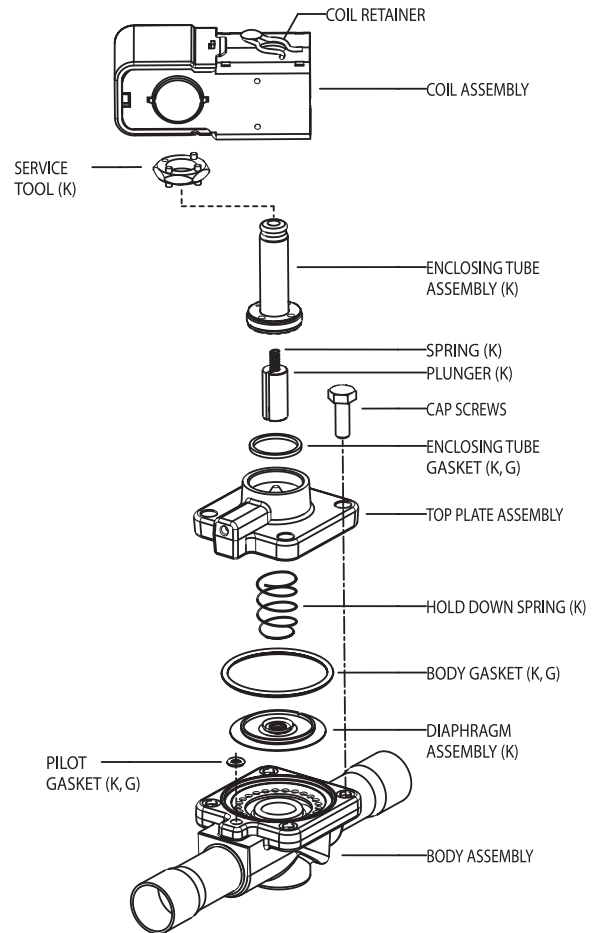
Capacities based on 100°F liquid and 40°F saturated evaporator per ARI standard 760-87.

*See Extended Capacity Tables for ratings at a wide range of conditions.



Valve	Port Size	Conn. Size	A	B	C	D
540RA8T5-T	1/2	5/8 ODF	4.80	1.34	3.28	6.88
540RA9T5-T	9/16	5/8 ODF	5.08	1.50	3.20	6.88
540RA9T7-T		7/8 ODF			3.33	7.13
540RA9T9-T		1 1/8 ODF			4.02	8.50
540RA12T7-T	3/4	7/8 ODF	5.08	1.50	3.52	7.50
540RA12T9-T		1 1/8 ODF			4.02	8.50
540RA16T9-T	1	1 1/8 ODF	5.34	1.66	4.25	9.06
540RA20T11-T	1-1/4	1 3/8 ODF	5.45	1.31	5.11	10.81
540RA20T13-T		1 5/8 ODF			5.89	12.38

Exploded View & Parts Kit Data



540RA Valve Kits

Valve	Kit #	PCN
540RA8	KS30328	060633
540RA9	KS30329	060634
540RA12	KS30330	060635
540RA16	KS30331	060636
540RA20	KS30332	060637

Gasket Kit for all 540RA valves is KG10028 (PCN 054356)

Valve Repair Kit

"K" indicates part is supplied in complete valve repair kit.

Gasket Kit

"G" indicates gasket is supplied in gasket kit.

Note: Spanner wrench X11981-1 (PCN 027451) is included in complete valve kit. (service tool used to remove and replace enclosing tube collar)

Coil Assembly

See coil assemblies for availability.